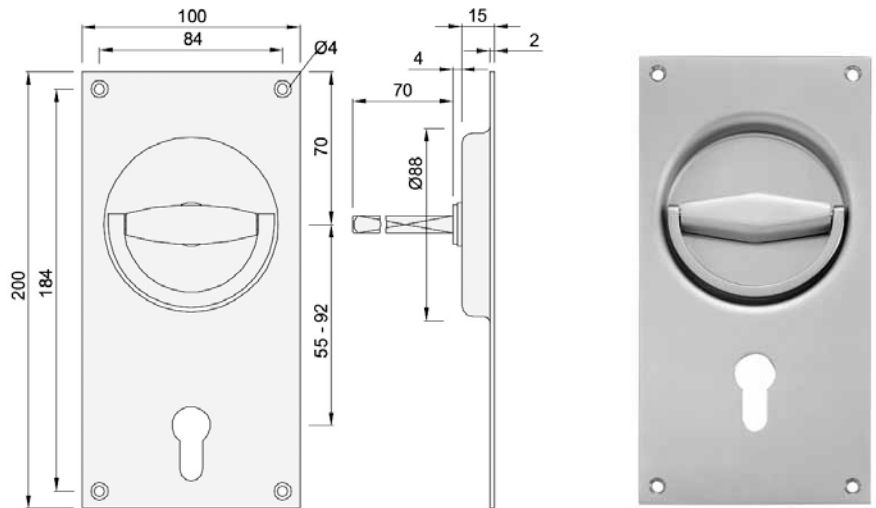




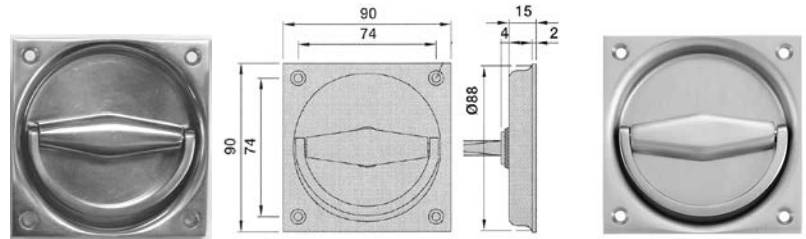
Order number

51.004 **Flush Door Lever Handle, for use with entry set with Profile Cylinder**
 304 Stainless Steel
 100 mm x 200 mm, depth: 13 mm
 Depth: 17 mm
 up-lay: 2 mm
 Finish: satin or polished stainless steel
 For use with 8 x 8 mm spindle



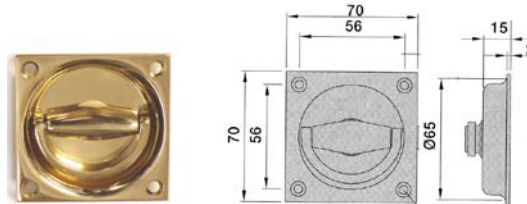
#51.004 flush door handle, 100 x 200 mm, stainless steel for use with Profile Cylinder

51.016 **Flush Door Lever Handle, for use with passage set**
 304 Stainless Steel
 90 mm x 90 mm, depth: 13 mm
 Depth: 17 mm
 up-lay: 2 mm
 Finish: satin or polished stainless steel
 For use with 8 x 8 mm spindle



#51.016 flush door handle, 90 x 90 mm stainless steel

51.013B **Flush Door Lever**
 Solid brass, with 8 x 8 mm spindle
 70 mm x 70 mm, depth: 17 mm
 up-lay: 2 mm



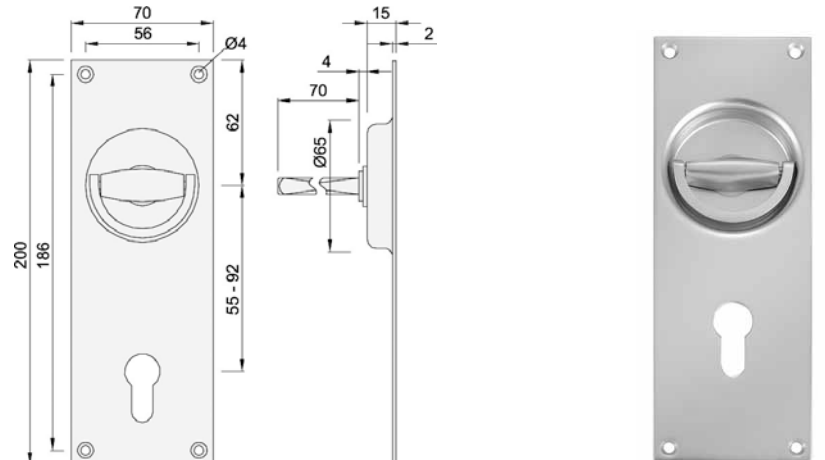
#51.013B flush door handle 70 x 70 mm, in brass and aluminum

51.013A **Flush Door Lever**
 Silver anodized aluminum
 with 8 x 8 mm spindle
 70 mm x 70 mm, depth: 17 mm
 up-lay: 2 mm



#51.016A in aluminum

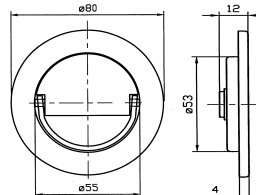
51.5001A **Flush Door Lever**
 Silver anodized aluminum
 On plate 70 mm x 200 mm,
 depth: 17 mm
 with 8 x 8 mm spindle
 up-lay: 2 mm



#51.5001A Flush pate with lever and hole for keyway; Silver Anodized Aluminum

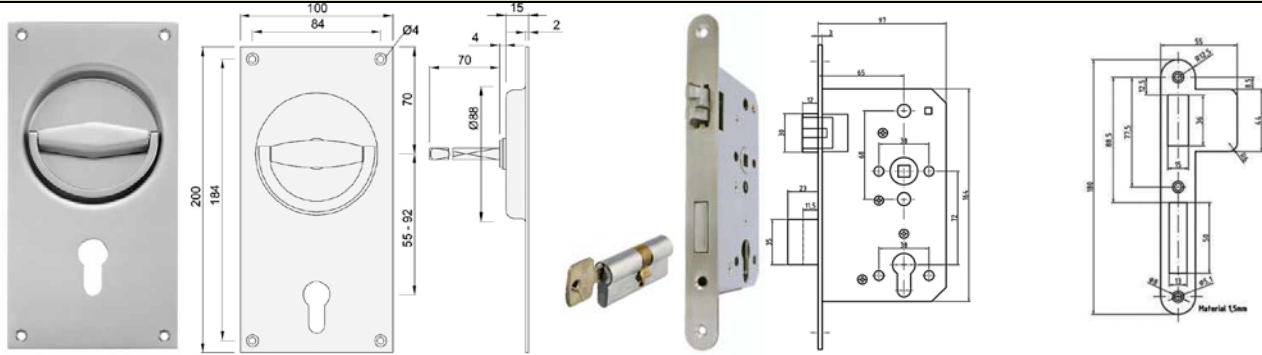
51.5001B **Flush Door Lever**
 Lacquered Brass
 On plate 70 mm x 200 mm,
 depth: 17 mm
 with 8 x 8 mm spindle
 up-lay: 2 mm

51.391 **Flush Door Lever**
 316 Stainless steel Flush Door Lever;
 80 mm diameter ~ 3 1/8 inch
 Up-lay: 4 mm or 3/16 inch
 For 8x8 mm spindle.

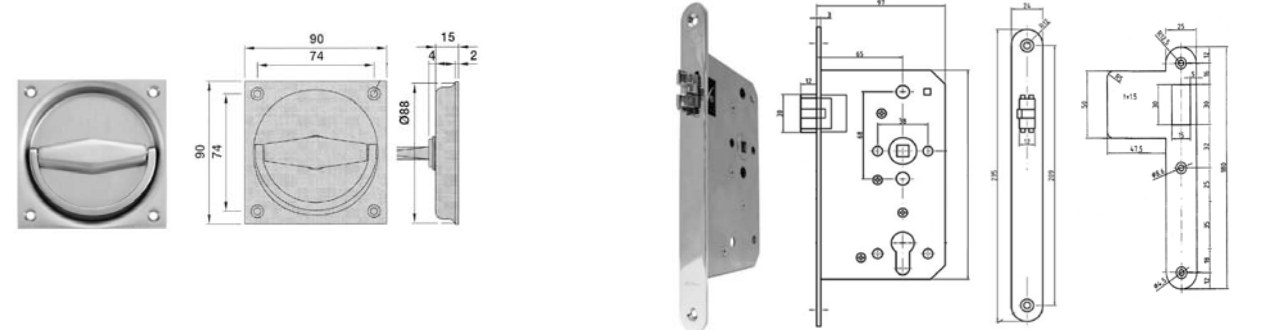


#51.391; 316 Stainless steel Flush Door Lever; 80 mm diameter.

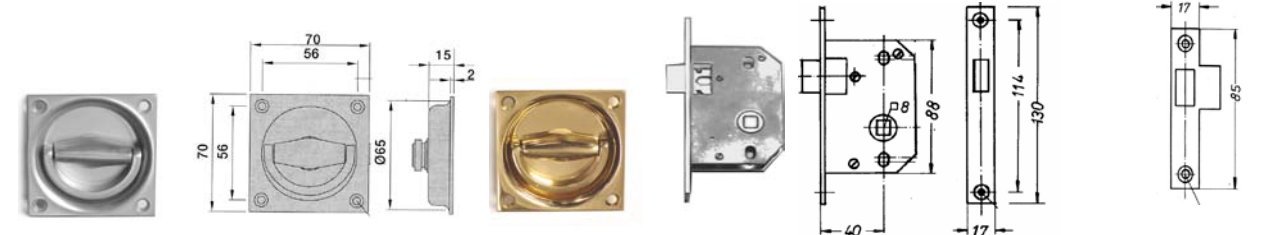




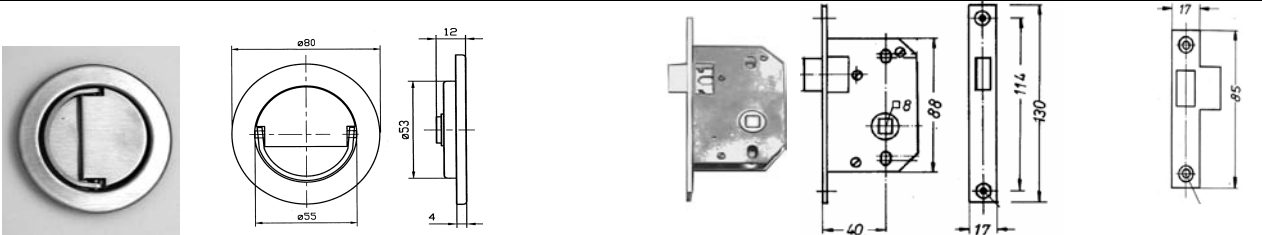
SET: #51.004Z Complete Flush Swinging Entry Door Set. Stainless steel lock and stainless steel flush plate with keyway.
Parts separate: Entry lock #14.31272 with 65 mm backset with strike plate #14.0031; with flush door handle on plate #51.004;
dimensions plate: 100 x 200 mm, for use with Profile Cylinder. **MINIMUM DOOR THICKNESS: 2 1/8" OR 54 MM**



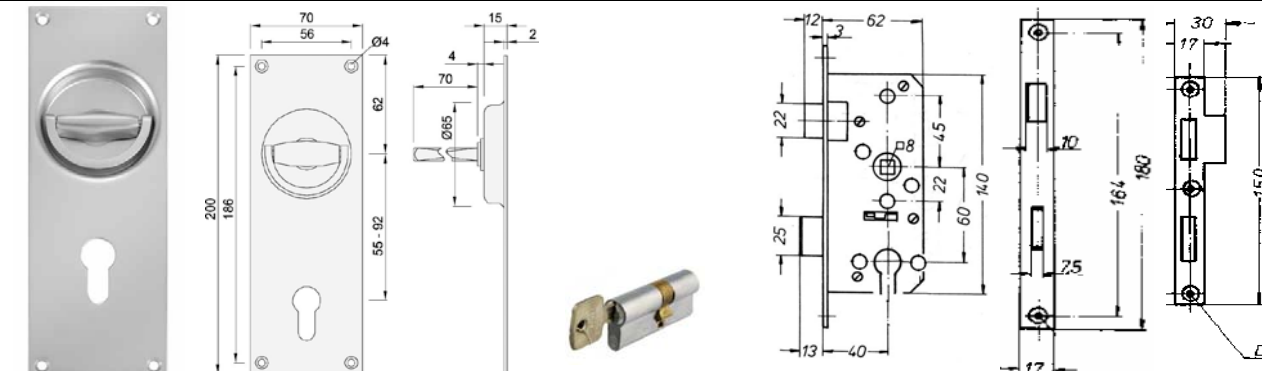
Set: #51.016F Complete Flush Swinging Passage Latch Set. 65 mm backset.
Parts separate: Stainless steel passage lock #14.3189 with stainless steel strike #14.0035 and stainless steel flush lever on plate #51.016;
dimensions plate: 90 x 90 mm. **MINIMUM DOOR THICKNESS: 2 1/8" OR 54 MM**



Set: #51.013F Complete Flush Swinging Passage Latch Set. 40 mm backset.
Parts Separate: Latch #16.431 with strike plate #16.225; Flush Door Handle on plate #51.013; 70 x 70 mm, Flush levers available in brass or aluminum. **MINIMUM DOOR THICKNESS: 1 13/16" OR 46 MM**



Set: #51.014F Complete Flush Swinging Passage Latch Set. 40 mm backset
Parts Separate: Latch #16.431 with strike plate #16.225; 316 Stainless steel Flush Door Lever #51.391; 80 mm diameter.
MINIMUM DOOR THICKNESS: 1 1/2" OR 38 MM

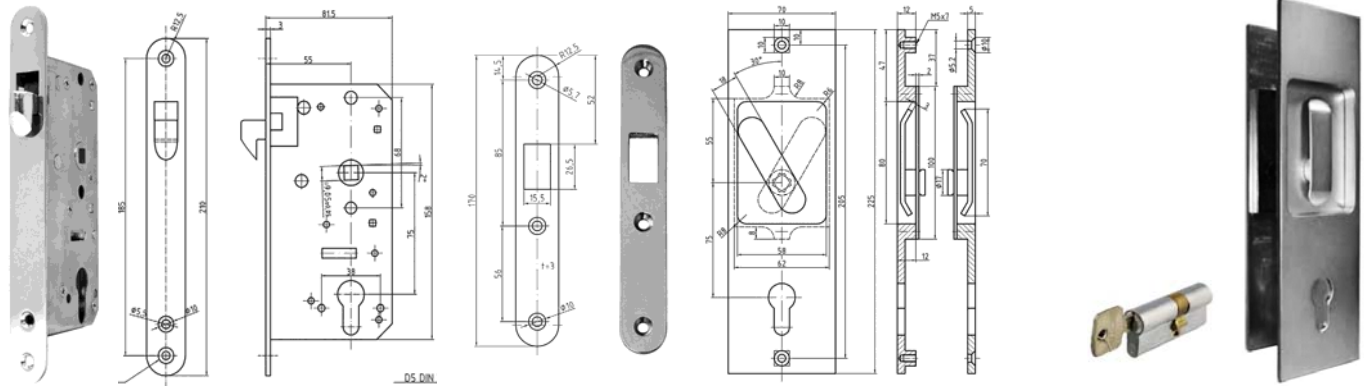


Set: #51.5001Z; Complete Flush Swinging Entry Door Set; 40 mm backset. Parts separate: Lock #16.421; Strike #16.224; Flush Door Lever on Plate #51.5001A; plate: 200 x 70 mm, Silver anodized aluminum, with 8 x 8 mm spindle, **MINIMUM DOOR THICKNESS: 1 13/16" OR 46 MM**

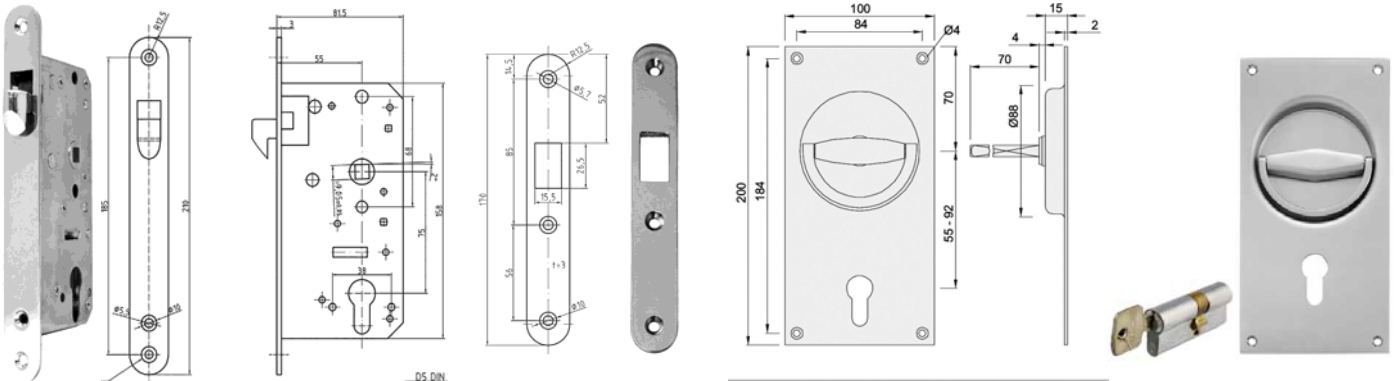
See also page I-4-P; I-4-Q; I-4-R and page I-4-S



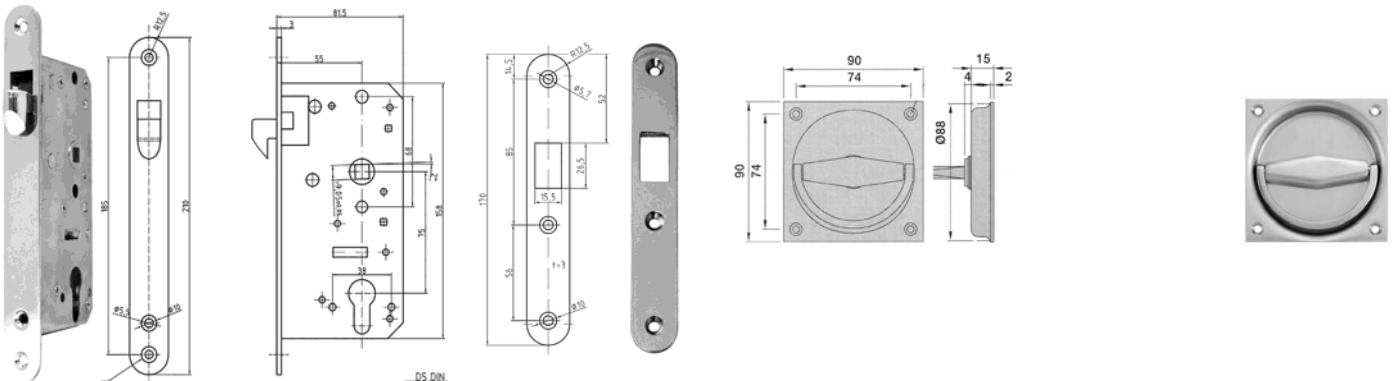
**#13.008Z Set: Pocket sliding door lock
with keyway and strike plate for 1 3/4" thick doors.
55 mm backset; Chrome plated brass; Marine grade**



#13.81Z6 SET Stainless steel sliding entry mortise lock and trim. Minimum Door thickness: 1 3/4". This Set Consists of: #13.81Z: Sliding door lock with backset 55 mm; Strike plate; Profile cylinder keyway; #13.610Z Flush Trim Set This Flush Lever Set protrudes from surface of the door 3/16 inch on each side; Minimum door thickness: 1 3/4 inch. Size plate: 2 3/4 x 8 7/8 inch



Entry Lock SET #13.81Z7; 55 mm backset; Minimum Door thickness: 1 3/4"; With two #51.004 Stainless Steel Flush Levers on Plates. Keyway included. This Flush Set protrudes from surface door: 3/32 inch; Minimum door thickness: 1 3/4 inch. Size plate: 3 15/16 x 7 7/8 inch .



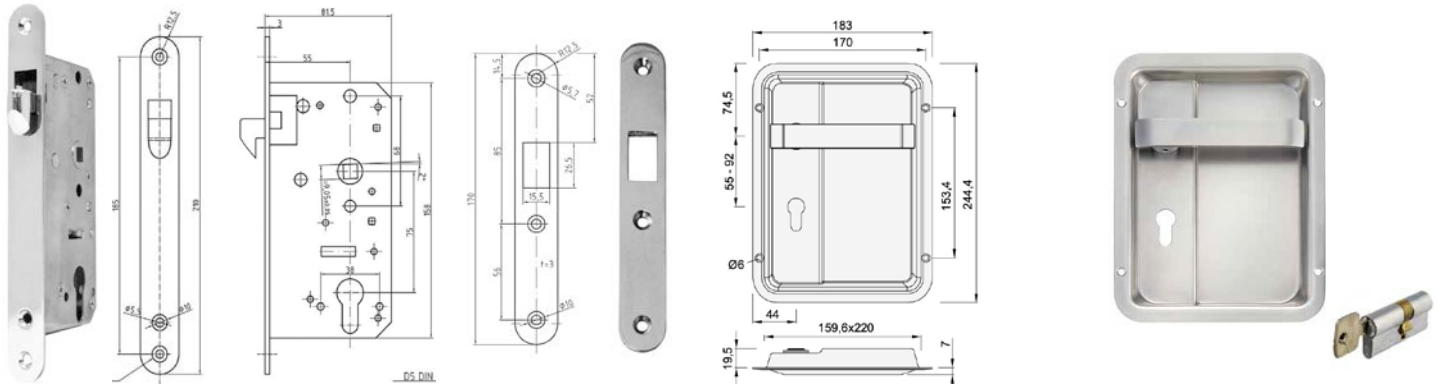
Passage Lock Set #13.81F8; 55 mm backset; Door thickness: 1 3/4"; With two #51.016 Stainless Steel Flush Levers on Plates This Flush Set protrudes from surface door 3/32 inch on each side; Minimum door thickness: 1 3/4 inch. Size plate: 2 9/16 x 2 9/16 inch.



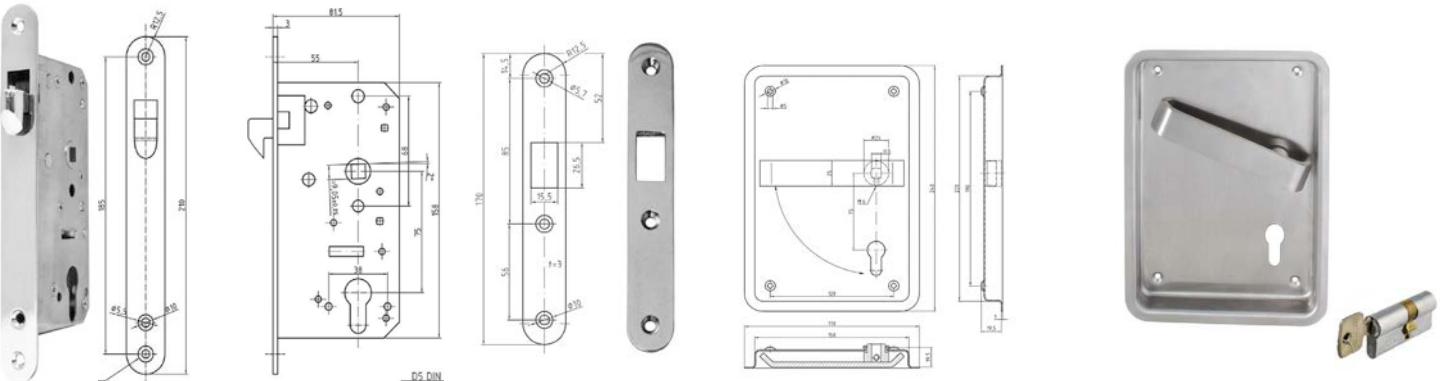
#18.3786 SET Entry Sliding door lock
Min. door thickness: 38 mm or 1 1/2 inch

#18.3838 Privacy Sliding Door lock
min. door thickness: 25 mm or 1 inch

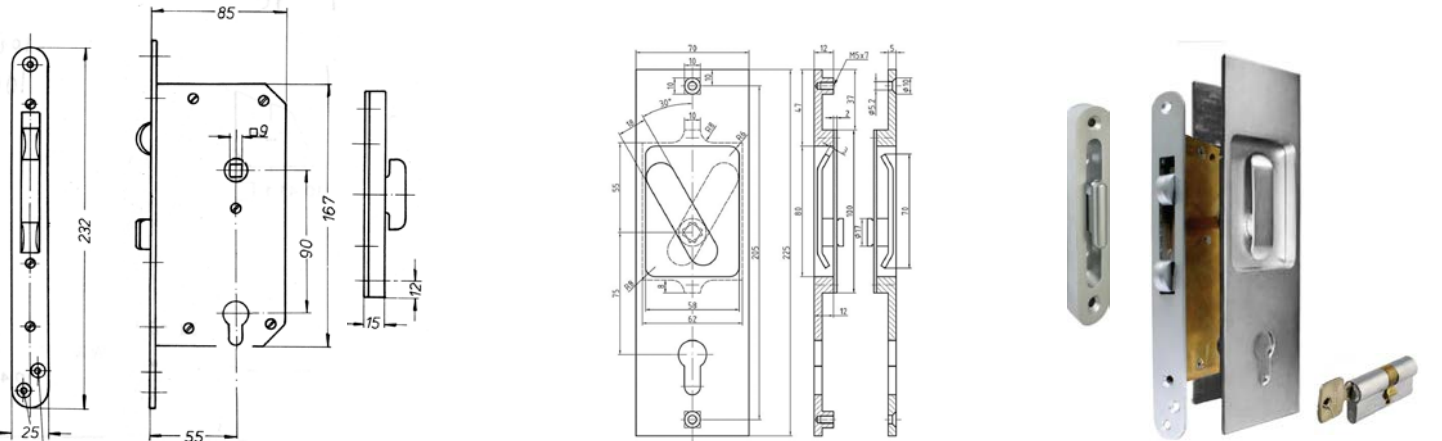
#18.3796 Passage Sliding door lock
min. door thickness: 25 mm



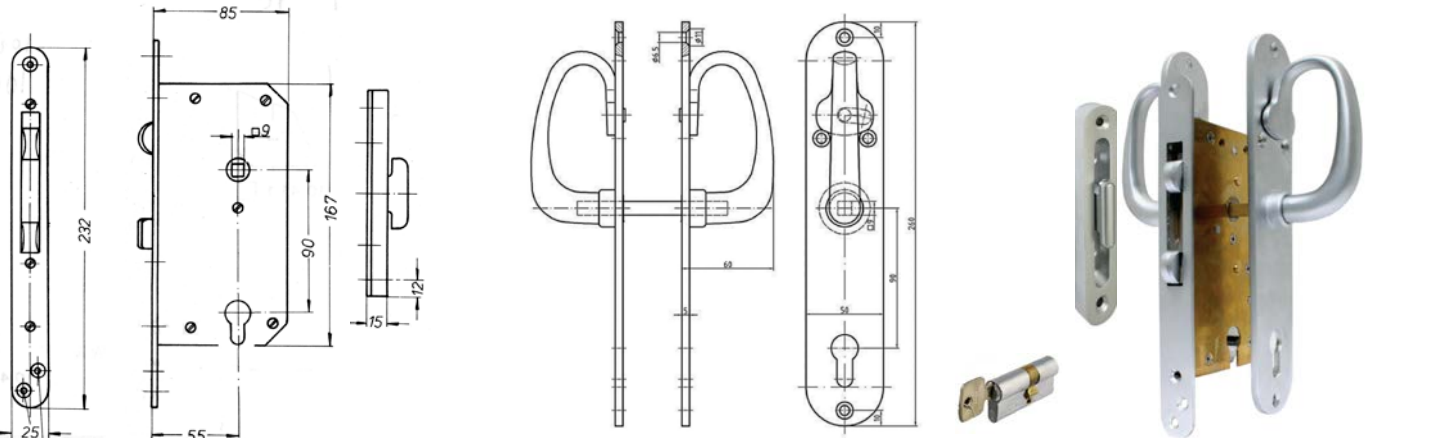
Entry Lock Set# 13.81Z8; 55 mm backset; Door thickness: 2 3/8 inch
using #53.5072 flush plates with lever size: 244.4 x 183 mm; build in space depth: 20 mm; proud: 7 mm see also page 5-3-1



Entry Lock Set# 13.81Z9; 55 mm backset; Door thickness: 2 3/8 inch
With #53.653 Flush plate with lever. Plate 240 x 170 mm; Build in depth: 20mm; Satin stainless steel



Entry Lock Set: 13.008Z Heavy duty Flush sliding door lock set. Door thickness: 1 3/4 inch. Chrome plated brass.



Entry Lock Set: 13.9698Z Heavy duty sliding door lock set for 1 1/2" thick doors. Chrome plated brass. Door thickness: 1 1/2 inch

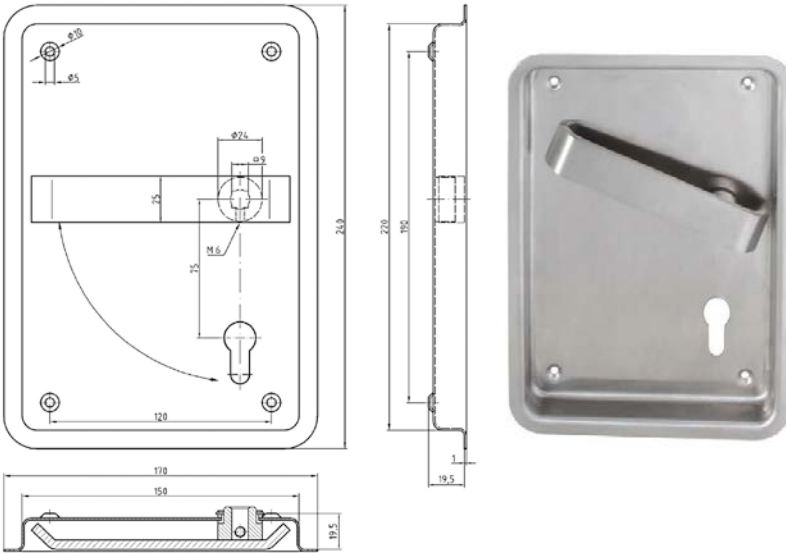


Izerwaren
Order
number

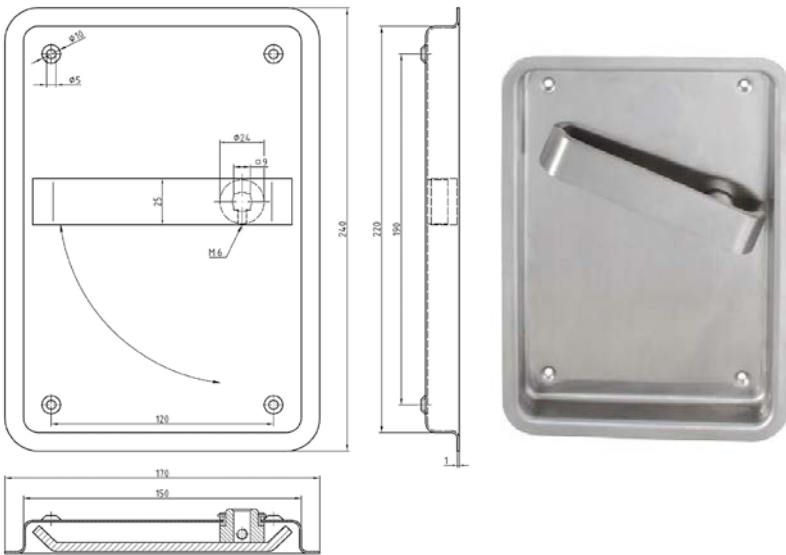
- High quality German 304 Stainless Steel Flush door lever handles for full size mortise locks with a min. backset of 55 mm
- Finish: Satin stainless steel or mirror polished stainless steel.

FOR 2 3/4 INCH DOOR THICKNESS

- 53.653 **Flush Plate with Lever, for use with entry set with Profile Cylinder**
 304 stainless steel
 Plate 240 x 170 mm;
 Build in: 220 x 150 mm
 Build in depth: 20mm
 Finish: satin or polished stainless steel
 With 8 x 8 mm or 9 x 9 mm square spindle

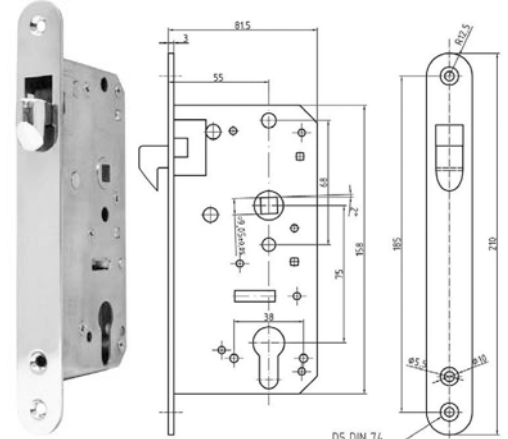


#53.653 Flush plate with lever. Plate 240 x 170 mm;
Build in depth: 20mm
Satin or polished stainless steel

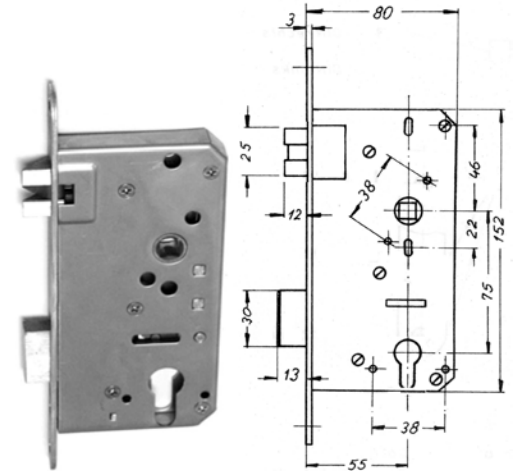


#53.659 Flush plate with lever. Passage function
Plate 240 x 170 mm;
Build in depth: 20 mm
Satin or polished stainless steel

NOTE: Lever not separately available
Only available as set with flush plates.
Similar lever for separate use: #12.53F on page I-1-2



- 13.81Z Use with Entry Sliding Pocket Door Lock
 C. spindle hole to C. key hole: 75 mm
 Case: 80 mm x 152 mm x 16 mm thick
 Front plate lock: 210 x 25 mm
 For 9x9 mm spindle /door lever handles
 For profile cylinder key/key or knob/key
- 13.81S Strike plate (stainless, square corners)
 Strike plate (brass, round corners)



14.37Z2 Entry Swinging Mortise lock; 55 mm backset
Stainless steel.

14.213 Entry strike plate

- 53.659 **Flush plate** with lever
 Passage function
 304 stainless steel
 Plate 240 x 170 mm;
 Build in: 220 x 150 mm
 Build in depth: 20 mm
 Finish: satin or polished stainless steel
 For 8 x 8 mm or 9 x 9 mm square spindle



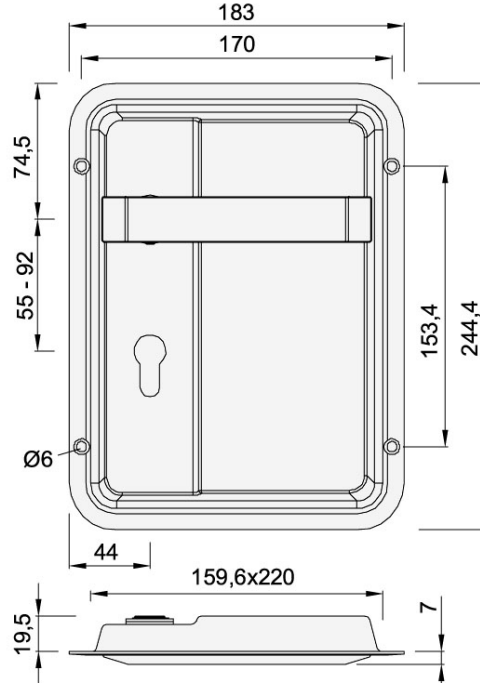
Izerwaren
Order
number

FOR 2 3/8" DOOR THICKNESS

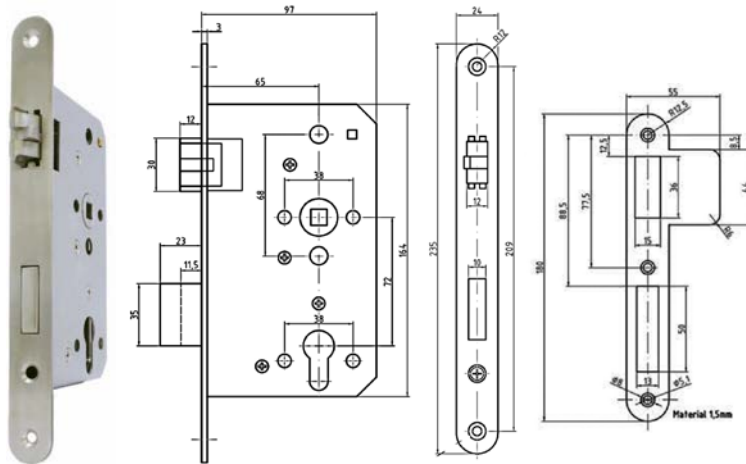
53.5072 **Flush cupped plate with Lever, for use with entry set with Profile Cylinder**
304 stainless steel
Pocket door function 244.4 x 183 mm
Build in space depth: 20 mm;
Proud: 7 mm
Finish: satin or polished stainless steel
For use with 8 x 8 mm or 9 x 9 mm square spindle



Lock backset: From 55 mm to 65 mm
Distance Lever to keyhole: 75 to 92 mm



#53.5072 flush plate with lever pocket door function 244.4 x 183 mm
Build in space depth flush plate: 20 mm; proud: 7 mm



Entry lock set #14.3127Z 65 mm backset



**#18.3448 pocket door lock for 1 1/2 inch (38 mm) thick doors.
Marine grade Polished Chrome Brass and Stainless Steel.**



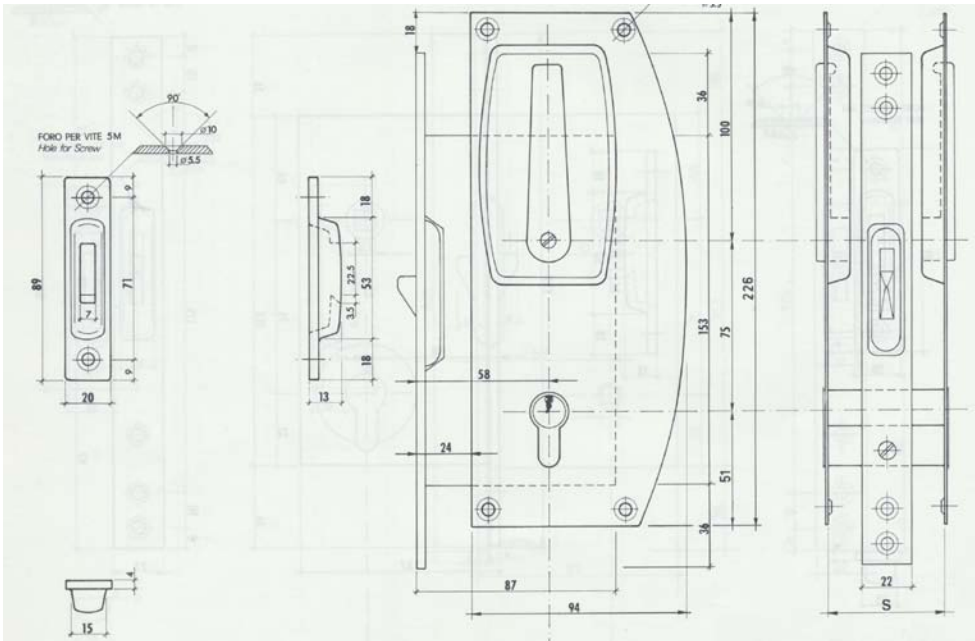
#18.3786 SET Entry Sliding door lock with Profile cylinder and strike box
 Min. door thickness: 38 mm or 1 1/2 inch



#18.3838 Privacy Sliding Door lock with strike plate
 min. door thickness: 25 mm



#18.3796 Passage Sliding door lock with strike plate
 min. door thickness: 25 mm



#18.3786 Entry Lock set with Profile Cylinder keyway. 60 mm backset
 S = Minimum door thickness is 32 mm or 1 1/2 inch.
 S2 = Maximum door thickness for the standard keyway: 1 3/4 inch
 For thicker doors please specify door thickness.
 Stainless steel plates with brass parts.
 Strike box brass chrome plated



Entry set #18.3448
 With 2 skeleton keys
 Minimum Door thickness
 25 mm or 1 inch

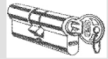
**R & C SWINGING DOOR LOCKS
 PLEASE CHECK WITH OUR OFFICE**



#18.3372 strike box for entry lock only



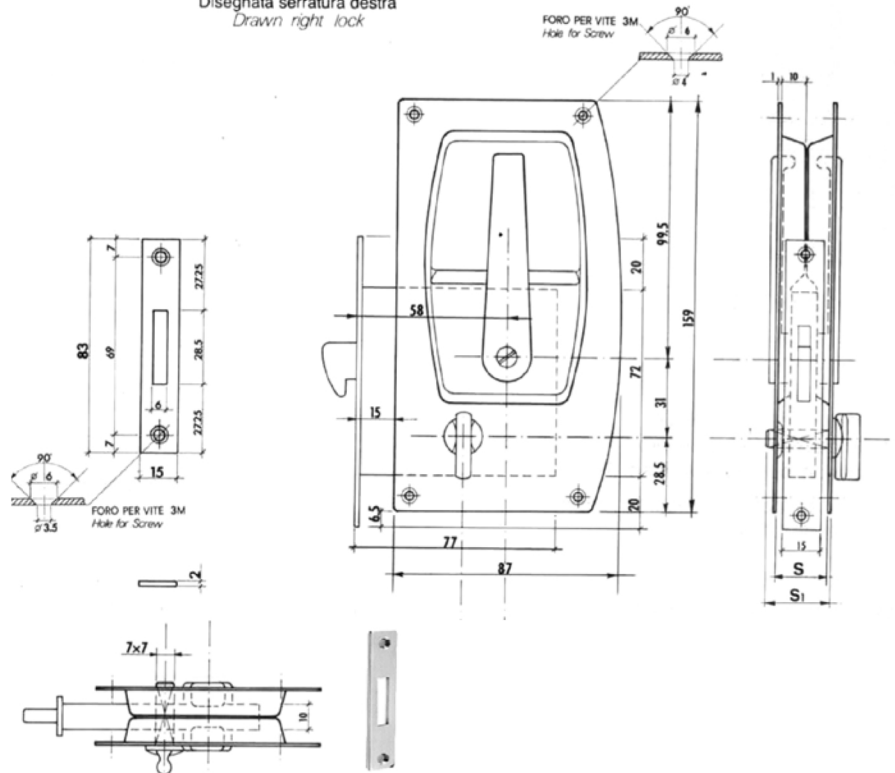
#18.3447 Strike plate for privacy lock #18.3838 and passage lock #18.3796



R & C POCKET DOOR AND SLIDING DOOR LOCKS

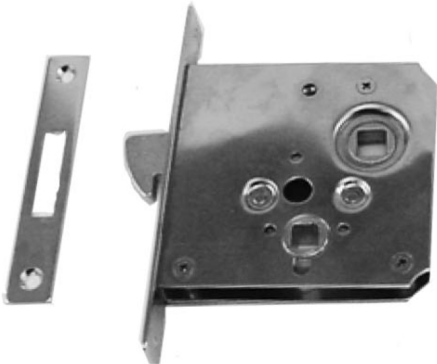


Disegnata serratura destra
Drawn right lock

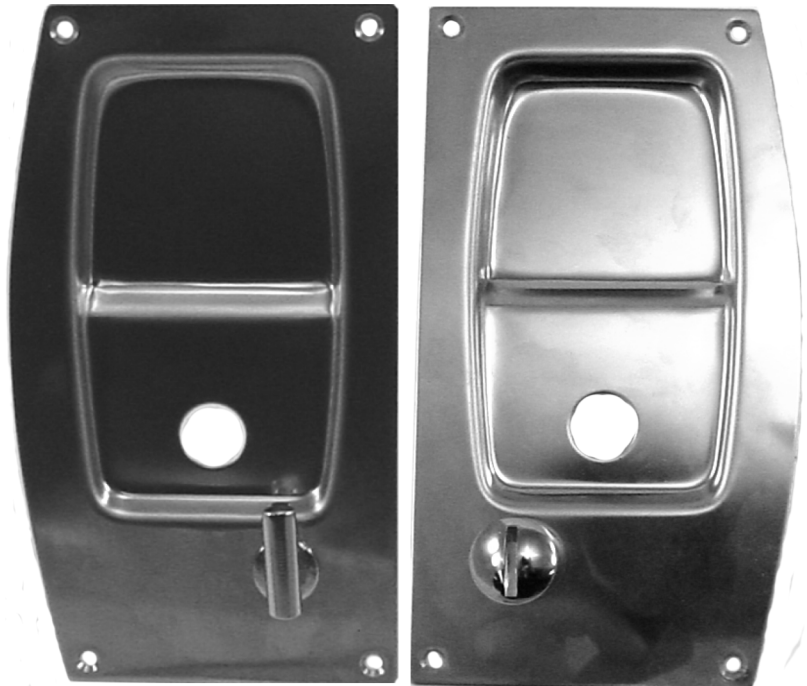


#18.3838 Privacy Sliding Door lock backset with strike plate **min. door thickness: 25 mm or 1 inch**
Backset 2 3/8 inch or 60 mm

#18.3447 Strike plate separate for privacy lock #18.3838, passage lock #18.3796; and skeleton key lock #18.3448



Sliding door lock separate: #18.9838
Sliding door lock complete set: #18.3838



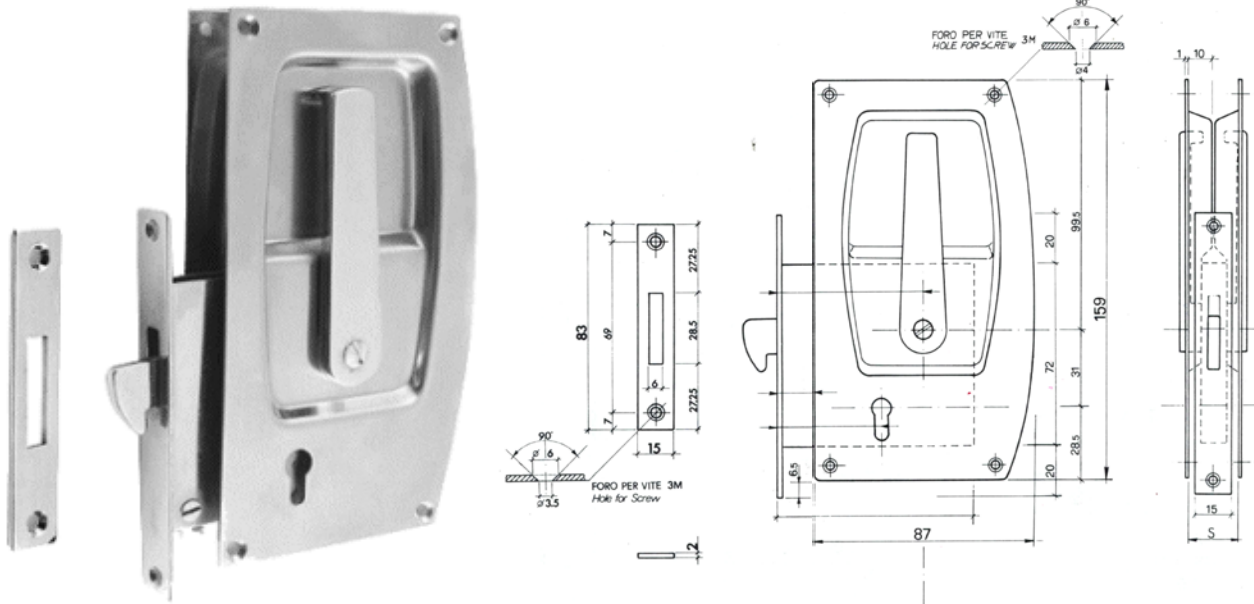
Showing thumb-turn (inside) and indicator/ release (outside)
With escutcheon plates



Levers #18.3828



Entry lock with Skeleton Keys. Min. door thickness: 25 mm or 1 inch



Entry set #18.3448 backset 60 mm or 2 3/8 inch
With 2 skeleton keys
Minimum Door thickness
25 mm or 1 inch

R & C SWINGING DOOR LOCKS SEE PAGE I-13-C-B:



#18. 9448 Sliding door lock with skeleton keys 60 mm backset / 2 3/8 inch
Also available with 100 mm backset special order call our office



Levers #18.3828



**#16.1786R Pocket door lock for 1 inch (25 mm) thick doors
Marine Grade Chrome Plated Brass**



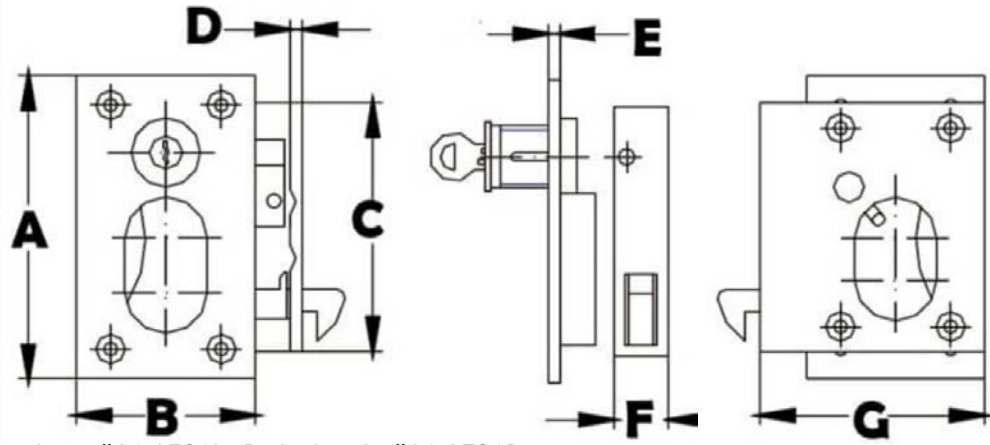
Outside US Left Hand with Key Lock
#16.1786L Entry Pocket door lock Left Hand Outside Set
#16.179L Passage Pocket door latch US left hand side

Strike plate

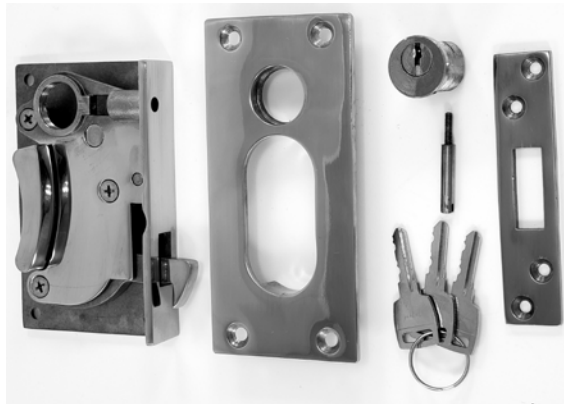
Inside US Left Hand with release lever

mm

Polished Stainless Steel Minimum Doorthickness: 1 1/4 inch or 32 mm



Showing Left Hand Outside Locking #16.1786L Right hand: #16.1786R
A) 5-1/16" B) 2-7/16" C) 4-3/8" D) 5/32" E) 1/8" F) 3/4" G) 3"



All Parts Showing



Order numbers

Flush levers in chrome/brass,

MINIMUM DOOR THICKNESS: 36 MM - 1 1/2" including budget lock page I-6

13.R55 **Flush rose with indicator**

53 mm or 2 1/8" diameter for use with spindle 8x8 mm



13.R51



13.R55

13.R51 **Flush rose with folding ring**

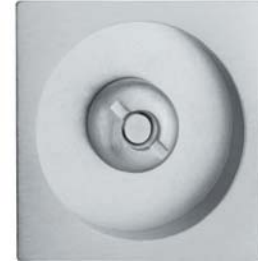
Flush lever: 53 mm diameter. (2 1/8")
Lever Protrudes 1/16"

13.R55 **Flush rose with indicator**

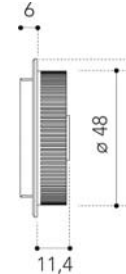
Flush lever: 53 mm diameter. (2 1/8")
Lever Protrudes 5/16"



13.R61



13.R55



Knob protrudes 6 mm or 1/4"

13.R61 **Flush rose with lever**

Flush lever: 53 mm diameter (2 1/8")
Lever Protrudes 1/4" or 6 mm

13.R56 **Flush rose with indicator**

Flush lever: 53 mm diameter. (2 1/8")
Lever Protrudes 5/16"



13.R71



13.R56



13.R59

13.R71 **Flush rose with flap lever**

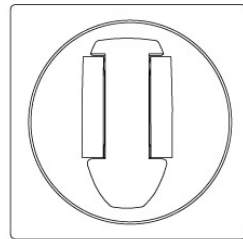
Flush lever: 53 mm diameter (2 1/8")
Lever Protrudes 1/4" or 6 mm

13.R59 **Flush edge pull flap lever**

52 x 29 mm or 2" x 1 1/8"
Ring Lever Protrudes 1/4"

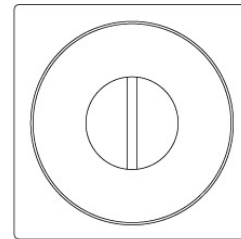


#13.R95



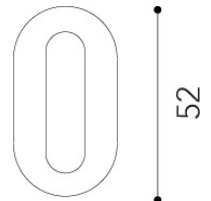
44

53



44

53

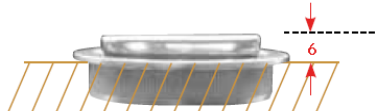


52

29

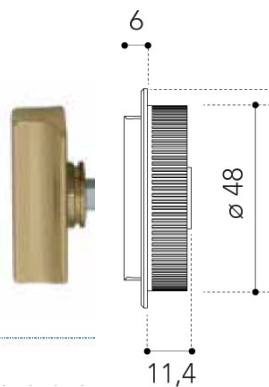
OD: 2 1/8" x 2 1/8" square; drill hole 48 mm or 1 29/32"
ID: 44 mm or 1 3/4" round. Depth: 7/16" or 11.4 mm
Dimensions similar for all models.

#13.R95 Set:
Flap lever with mechanism
Minimum door thickness: 1 1/2"

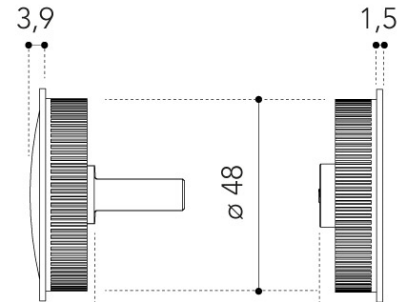


#13.R61

See also pages: 5-0, 5-2, A to G



#13.R61



#13.R71 #13.R51 and #13.R55

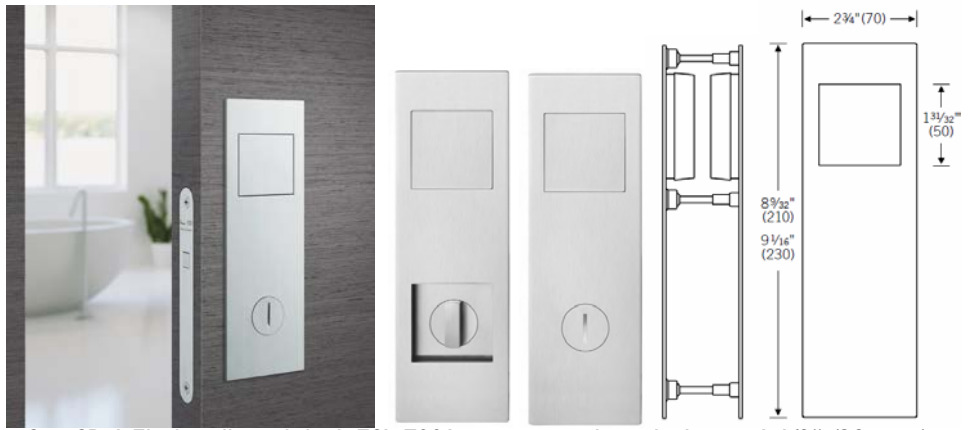


Izerwaren
Order
numbers

Flush levers and Pulls
Sliding Door Locks

13.SB170

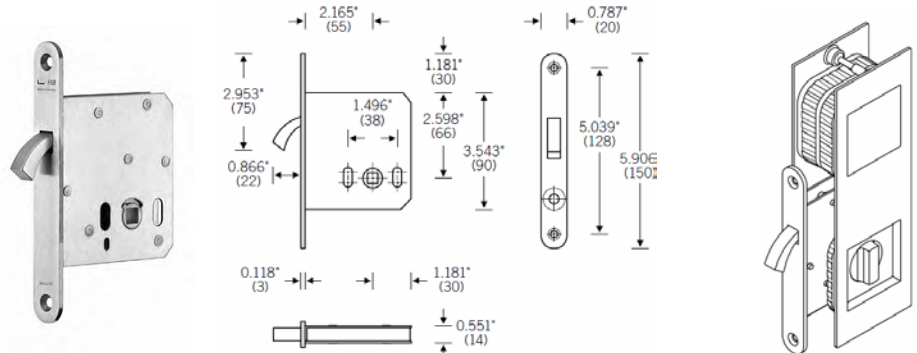
Flush Pulls, Privacy set
230 x70 mm 9 1/16 x 2 3/4 inch
For 1 1/2 inch door thickness
Flush pulls with flaps and
Thumb-turn / indicator included
Parts separate: Page 5-1-E



Set: SB-I Flush pulls with lock ESL 7001 minimum door thickness: 1 1/2" (38 mm)

13.7001

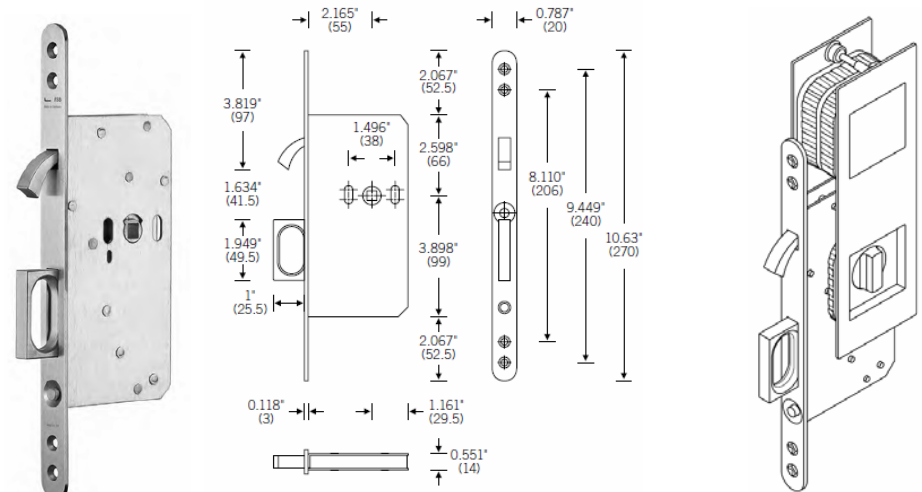
Sliding door lock
55 mm backset ~ 2 3/16 inch
Stainless steel front plate
Steel parts, interior grade



Series ESL 7001 passage lock 55 mm backset; satin stainless finish, steel parts

13.7002

Sliding door lock, edge pull
55 mm backset ~ 2 3/16 inch
Stainless steel front plate
With edge pull
Steel parts, interior grade



Series EPL 7002 passage lock 55 mm backset with edge pull
satin stainless finish, steel parts, interior grade

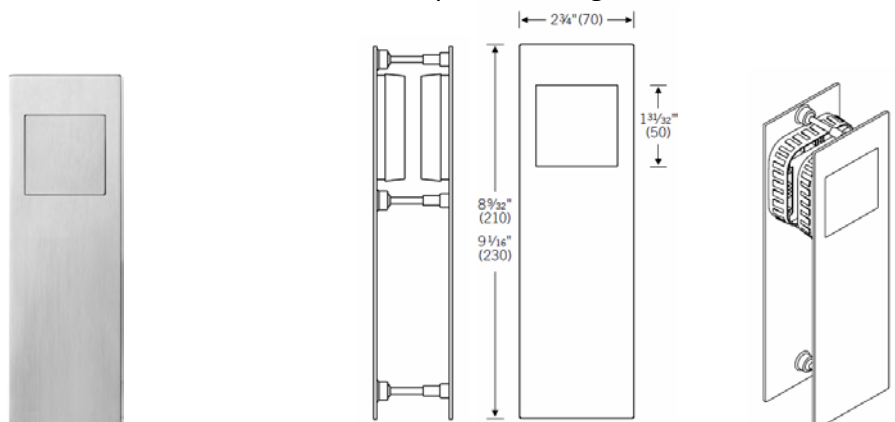


Picture showing double door set

13.SB007

**Flush Pulls with push/flap
lever, set**
230 x70 mm 9 1/16 x 2 3/4 inch
For 1 1/2 inch door thickness

Parts separate: Page 5-1-E

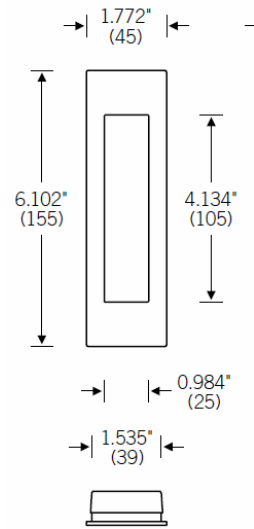


Flush trim set 13.SB007 Dummy set pulls for sliding doors. Min. door thickness: 1 1/2 inch



IZERWAREN
Order
numbers

Flush levers and Pulls
Sliding Door Locks



Set: Flush pulls 13.4251 | Spring loaded cup Minimum door thickness: 1 1/2" (38 mm)
Size: 155 x 45 mm 6 1/16 x 2 3/4 inch

13.42511 **Flush Pulls, spring loaded cup**
155 x 45 mm 6 1/16 x 2 3/4 inch
For 1 1/2 inch door thickness

13.42510 **Flush Pulls, with hole**
155 x 45 mm 6 1/16 x 2 3/4 inch
For 1 1/2 inch door thickness

13.42512 **Flush Pulls, with small hole**
155 x 45 mm 6 1/16 x 2 3/4 inch
For 1 1/2 inch door thickness

- 42 4251 00000 (open)
- 42 4251 00001 (spring loaded cover)
- 42 4251 00002 (half open)



#13.42510
with cup



#13.42511
spring loaded



#13.42512
with slot

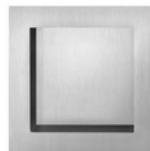
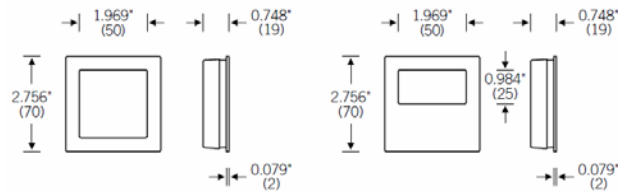
70 x 70 mm; 2 3/4 x 2 3/4 inch; Minimum door thickness: 1 1/2" (38 mm)
Stainless steel

13.42530 **Flush Pulls, Square with hole**
70 x 70 mm 2 3/4 x 2 3/4 inch
Stainless steel

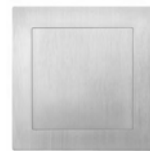
13.42531 **Flush Pulls, Square spring loaded**
70 x 70 mm 2 3/4 x 2 3/4 inch
Stainless steel

13.42532 **Flush Pulls, Square with slot**
70 x 70 mm 2 3/4 x 2 3/4 inch
Stainless steel

- 42 4253 00000 (open)
- 42 4253 00001 (spring loaded cover)
- 42 4253 00002 (half open)



Flush pulls #13.42530
with cup



#13.42531
spring loaded

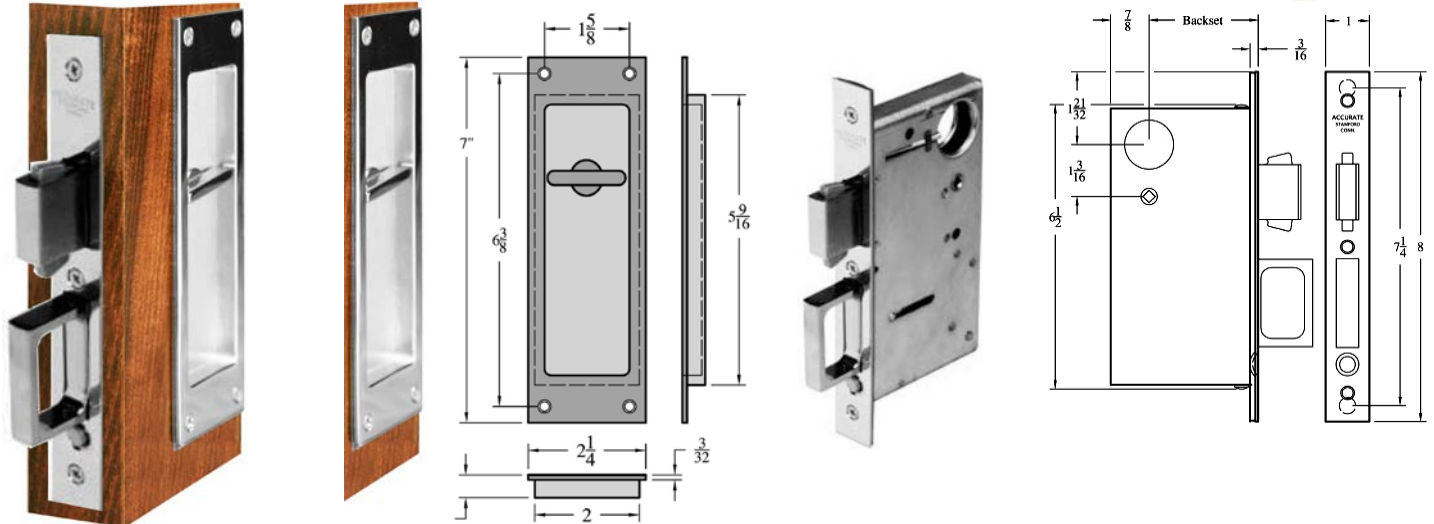


#13.42532
with slot

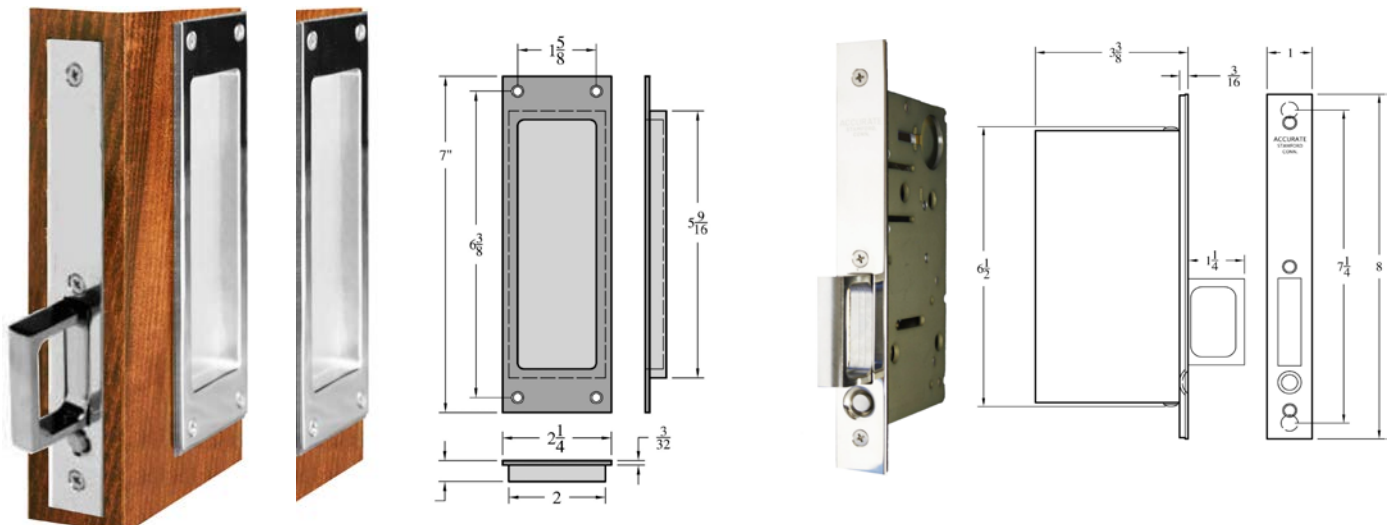
70 x 70 mm; 2 3/4 x 2 3/4 inch; Minimum door thickness: 1 1/2" (38 mm)
Stainless steel



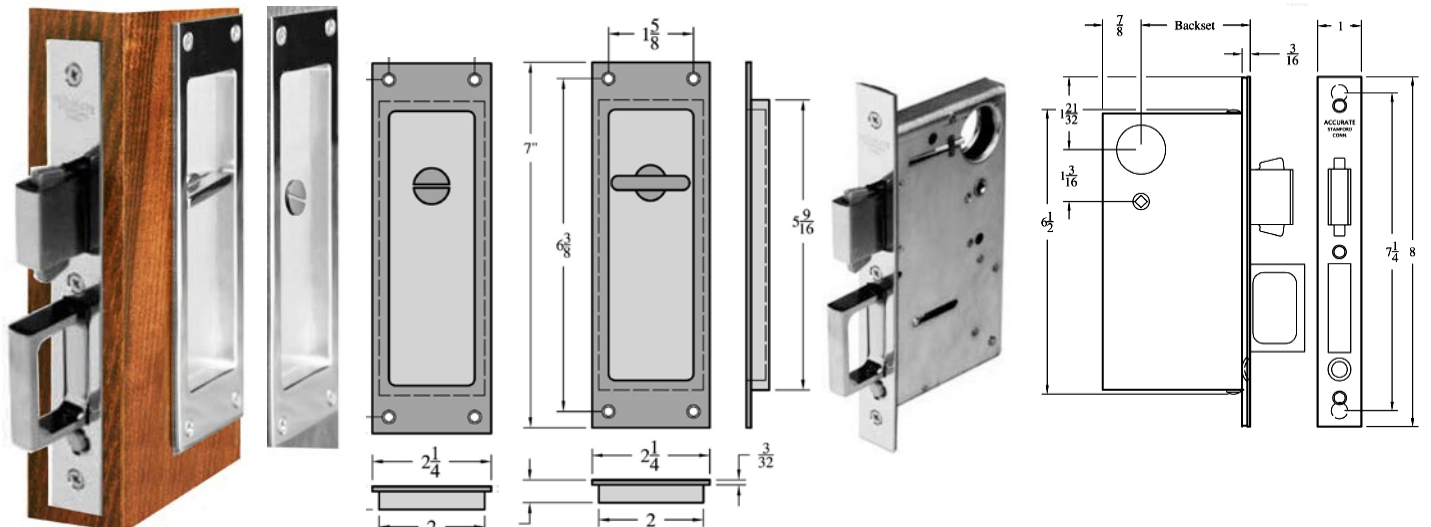
Pocket door locks for door thickness 1 3/8" and up. Backset 2 1/2".



SET: 13.PA002 Passage Pocket Door Lock with Flush lever outside, and flush lever inside. Spring loaded edge pull; **MINIMUM DOOR THICKNESS: 1 3/8"**

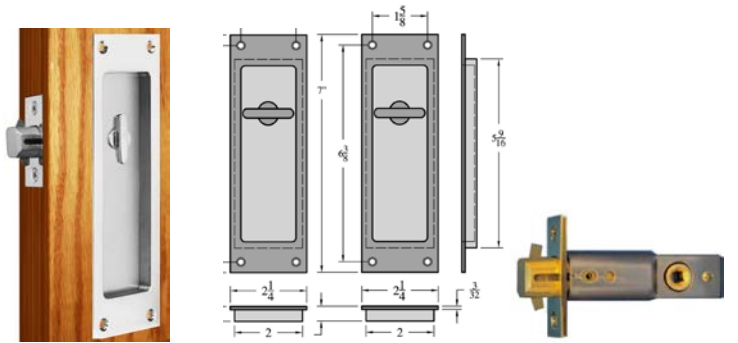


SET: 13.FF002 Flush pull set with flush cups on both sides. Non locking. With spring loaded edge pull, **MINIMUM DOOR THICKNESS: 1 3/8"**

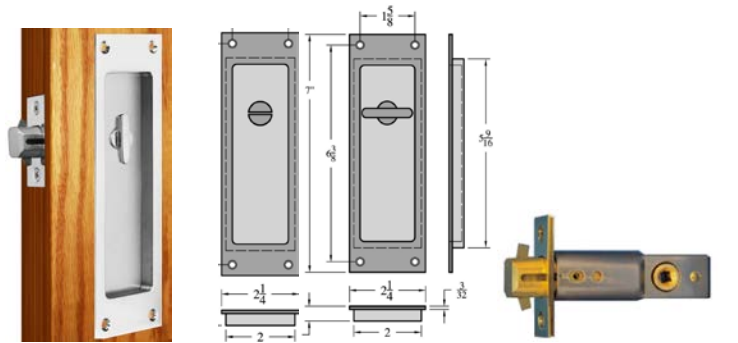


SET: 13.PR002 Privacy Pocket Door Lock with thumb-turn inside, and indicator outside. Spring loaded edge pull; **MINIMUM DOOR THICKNESS: 1 3/8"**

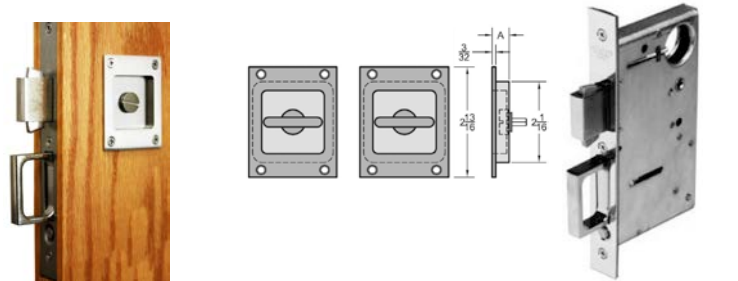
FOR POCKET DOOR PARTS SEPARATE, PLEASE SEE PAGE: 5-2-E,F,G.



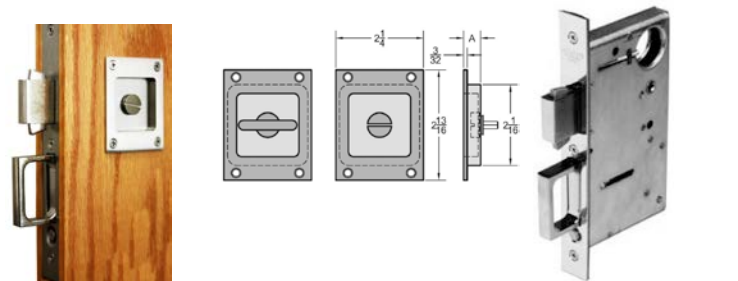
SET: 13.PA161 Pocket Passage set with tubular mechanism; Rectangular flush escutcheons with thumb-turns.
MINIMUM DOOR THICKNESS: 1 1/2" Backset: 2 3/8 or 2 3/4 inch



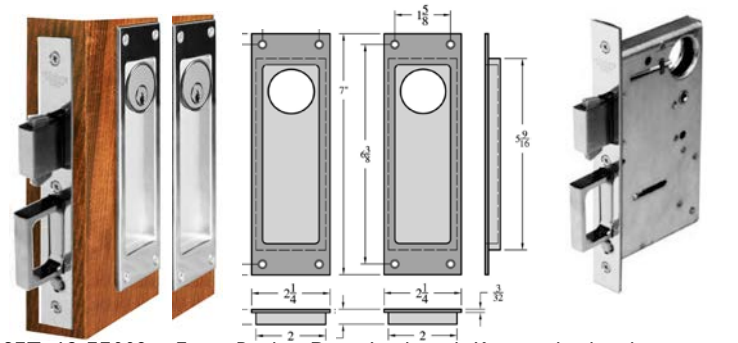
SET: 13.PRI61 Privacy set with separate tubular mechanism; Rectangular flush escutcheon with thumb-turn and indicator
MINIMUM DOOR THICKNESS: 1 1/2" Backset: 2 3/8 or 2 3/4 inch



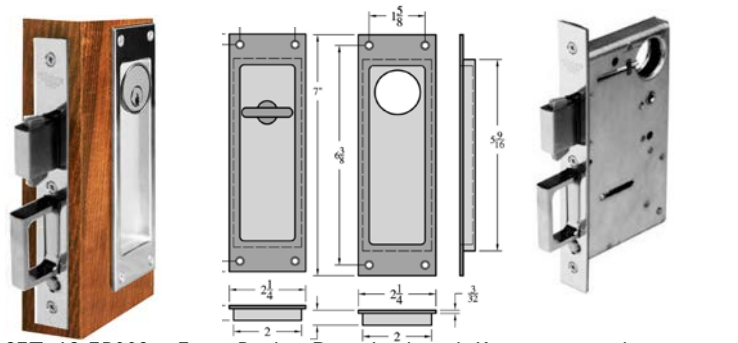
SET: 13.PA2342 Passage set with full mortise with spring loaded edge pull; Rectangular flush escutcheons with thumb-turn
MINIMUM DOOR THICKNESS: 1 3/8" Backset 2 1/2"



SET: 13.PR2342 Privacy set with full mortise with spring loaded edge pull Rectangular flush escutcheon with thumb-turn and indicator.
MINIMUM DOOR THICKNESS: 1 3/8" Backset 2 1/2"



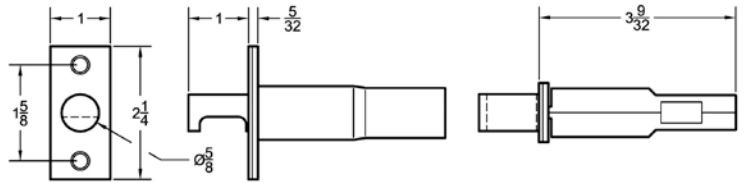
SET: 13.EE002 Entry Pocket Door Lock with Keyway both sides and Spring loaded edge Pull ;
MINIMUM DOOR THICKNESS: 1 3/4" Backset 2 1/2"



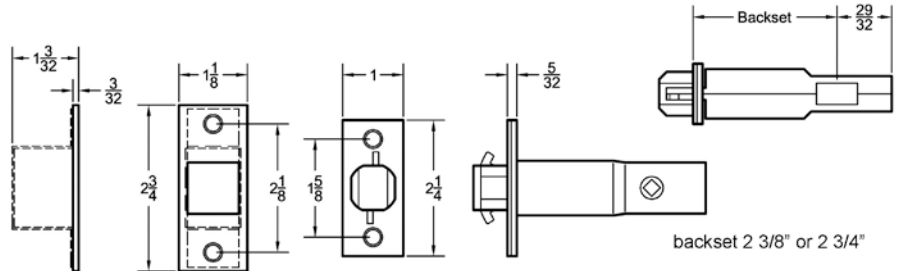
SET: 13.EP002 Entry Pocket Door Lock with Keyway one side; thumb-turn other side and Spring loaded edge pull ;
MINIMUM DOOR THICKNESS: 1 3/4" Backset 2 1/2"



13.161PDP Edge pull for pocket doors thickness casing: 1 inch. For 1 3/4" thick doors. Pull 5/8" diameter; spring loaded.



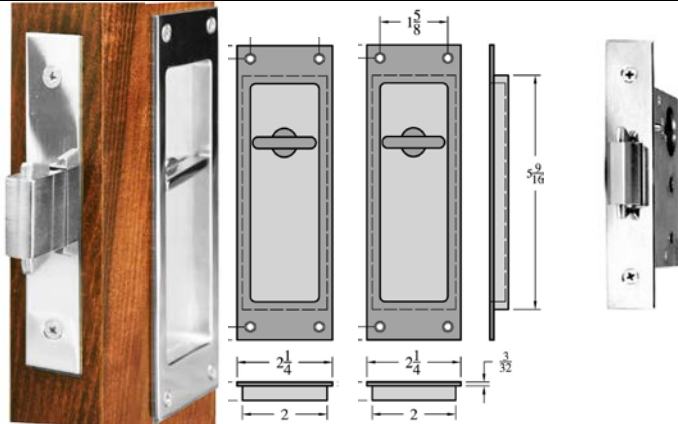
13.161PDL Hook bolt for pocket doors; specify 2 3/4" or 2 3/8" backset; Thickness lock casing: 1 inch;



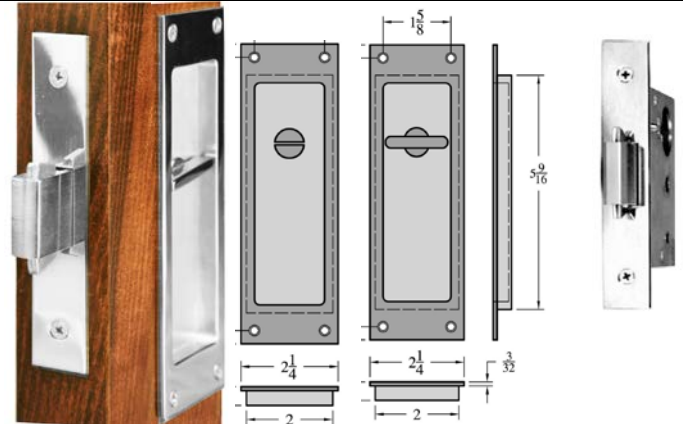
For details on dimensions and ordering parts separate: Please see pages I-13-H; I-13-I



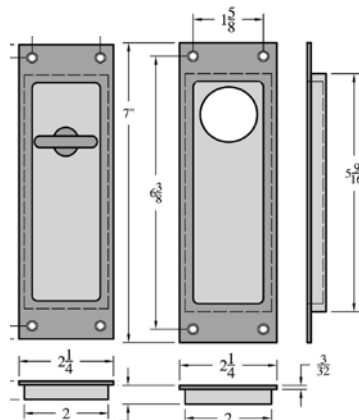
Pocket door locks for door thickness 1 3/8" and up. Steel parts.



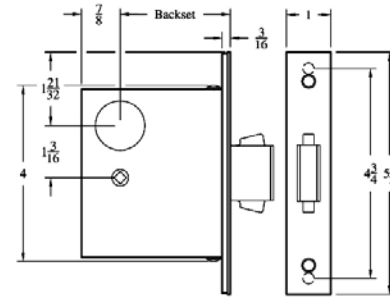
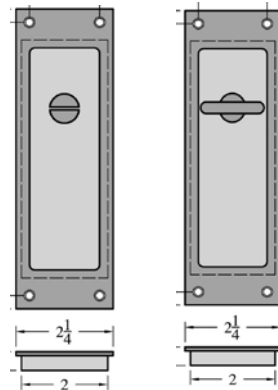
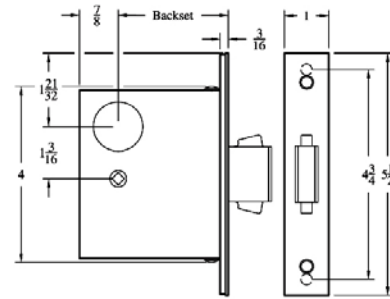
SET: I3.PA002 Passage Pocket Door Lock with full mortise lock and edge pull; thumb-turns on both side; **MINIMUM DOOR THICKNESS: 1 3/8"; Backset 2 1/2"**



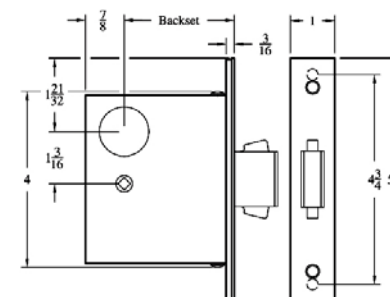
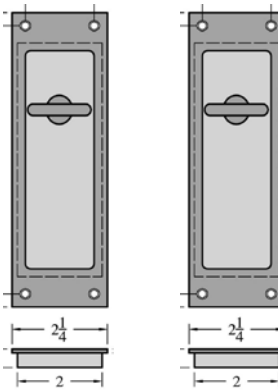
SET: I3.PR002 Passage Pocket Door Lock with full mortise lock and edge pull; thumb-turns on inside, indicator outside; **MINIMUM DOOR THICKNESS: 1 3/8"; Backset 2 1/2"**



SET: I3.EP001 Entry Pocket Door Lock with Key outside and flush lever inside; **MINIMUM DOOR THICKNESS: 1 3/4"; Backset 2 1/2"**



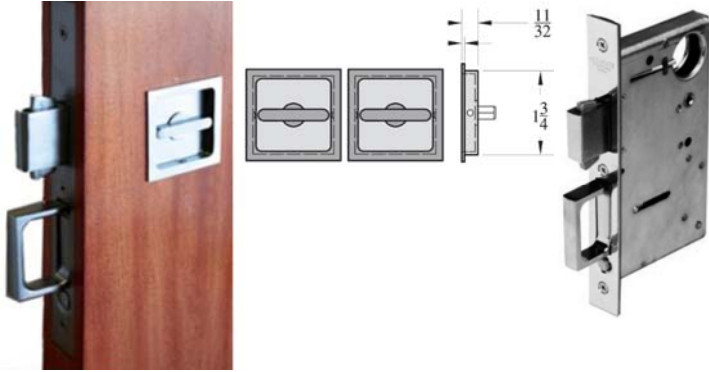
SET: I3.PR001 Privacy Pocket Door Lock with thumb-turn on inside and indicator outside; **MINIMUM DOOR THICKNESS: 1 3/8"; Backset 2 1/2"**



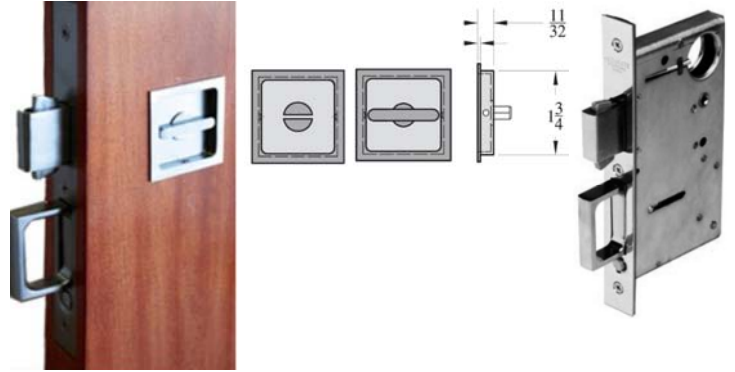
SET: I3.PA001 Passage Pocket Door Lock with flush lever inside and outside; **MINIMUM DOOR THICKNESS: 1 3/8"; Backset 2 1/2"**



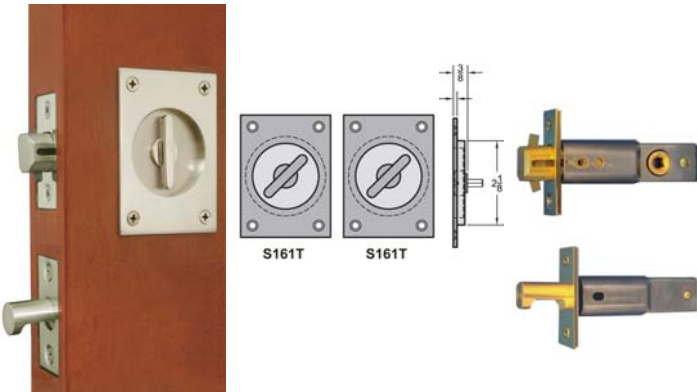
Pocket door locks for door thickness 1 3/8" and up. Steel parts.



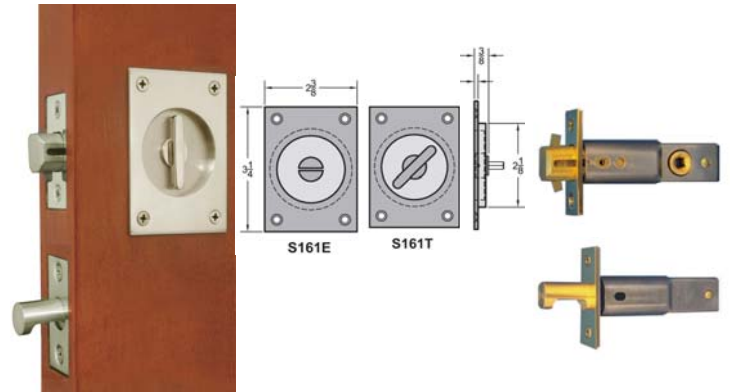
SET: 13.PASB002 Passage Pocket Door Latch Set. With full size mechanism and spring loaded edge pull ; Square flush escutcheon 2 x 2 inch with thumb-turns; **MINIMUM DOOR THICKNESS: 1 3/8"**



SET: 13.PRSB002 Privacy set with full mortise mechanism with spring loaded edge pull ; square flush pulls 2 x 2 inch; with thumb-turn/indicator **MINIMUM DOOR THICKNESS: 1 3/8"**



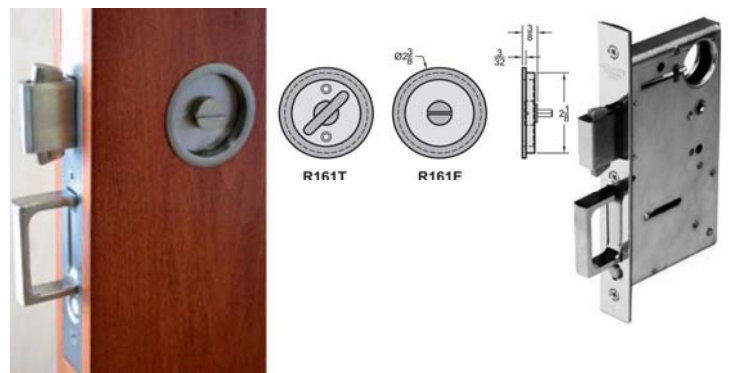
SET: 13.PAS161 Passage set with separate tubular mechanism and spring loaded edge pull ; Rectangular flush escutcheons with thumb-turns; **MINIMUM DOOR THICKNESS: 1 5/8" or 41 mm**



SET: 13.PRS161 Privacy set with separate tubular mechanism ; spring loaded edge pull ; flush escutcheons with thumb-turn and indicator; **MINIMUM DOOR THICKNESS: 1 5/8" or 41 mm**



SET: 13.PAR161 Passage set with full mortise mechanism with spring loaded edge pull ; ROUND flush pull with thumb-turns; 2 3/8 inch diameter. **MINIMUM DOOR THICKNESS: 1 3/8"**



SET: 13.PRR161 Privacy set with separate tubular mechanism and spring loaded edge pull ; Round flush escutcheon with thumb-turn and indicator; **MINIMUM DOOR THICKNESS: 1 3/8"**

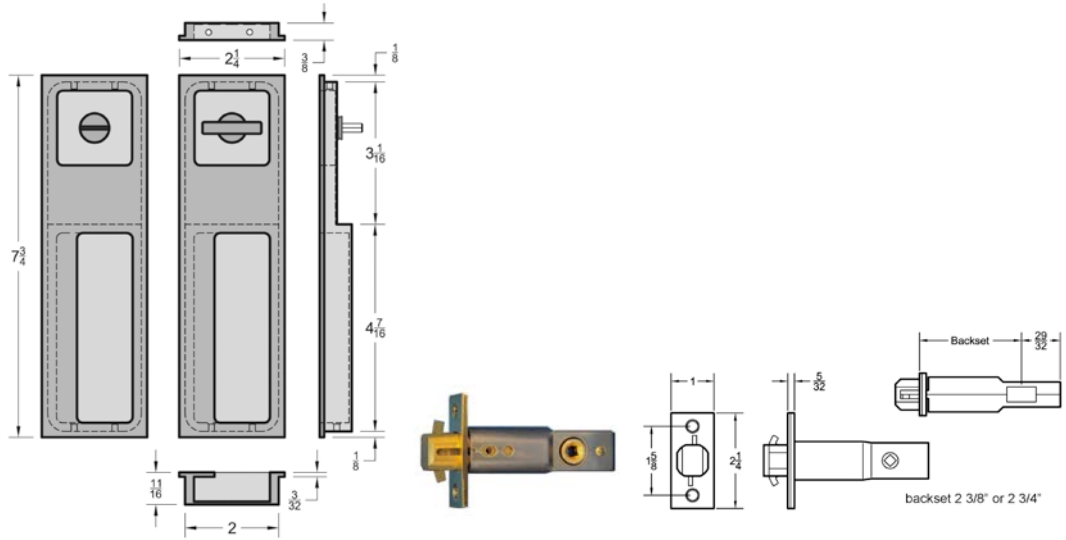


Sliding Lock Set Privacy with Flap lever with mechanism: #13.R95; **MINIMUM DOOR THICKNESS: 1 1/2"**; size square cups: 2 1/6" x 2 1/16".

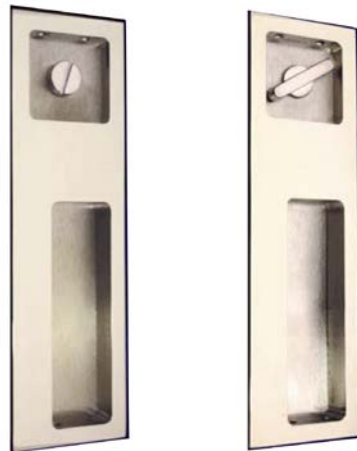
**FOR DETAILS LOCK PARTS
SEE PAGE I-13-H; I-13-I and 5-2-E**



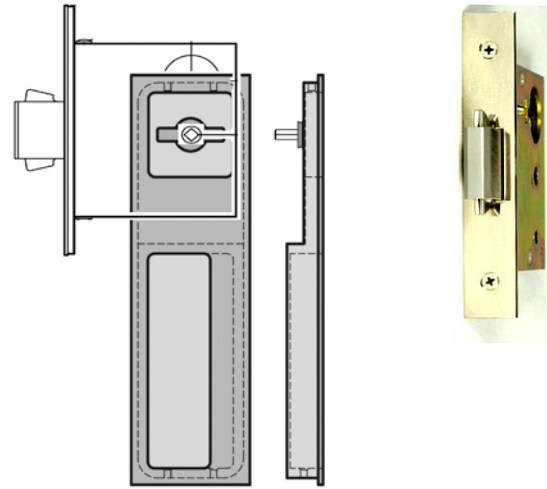
Flush lever set #13.CSB custom made with lock #16.401 and strike #14.48S **MINIMUM DOOR THICKNESS: 1 1/8"**
Lever extend 5/16" from surface on each side of door



SET: 13.PA9061 Passage set with tubular lock with flush escutcheon with pull cup; minimum door thickness: 1 3/4"
 SET: 13.PR9061 Privacy set with tubular lock with flush escutcheon with pull cup; minimum door thickness: 1 3/4"

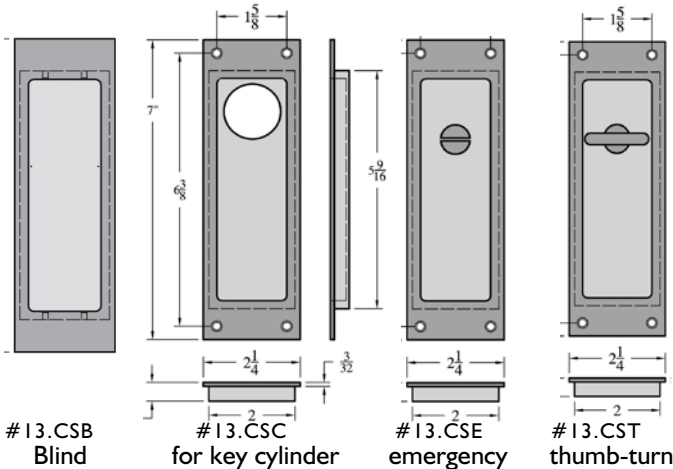


Flush plates: 13.FE9006E 13.FE9006T

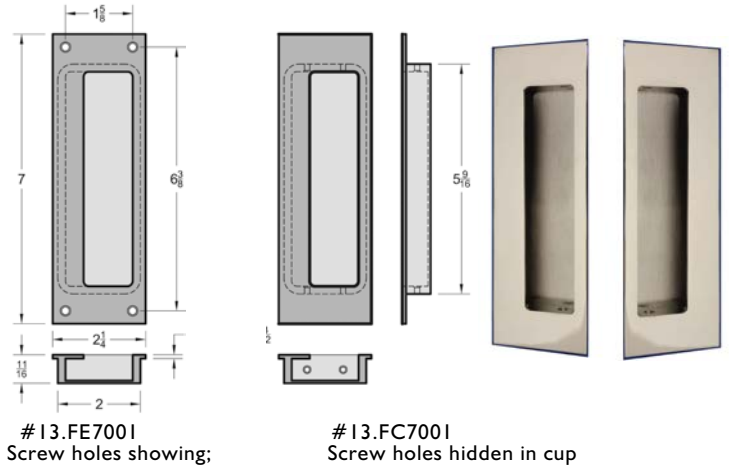


SET: 13.PA901 Passage set with full mortise lock with flush escutcheon with pull cup; minimum door thickness: 1 3/8"
 SET: 13.PR901 Privacy set with full mortise lock with flush escutcheon with pull cup; minimum door thickness: 1 3/8"

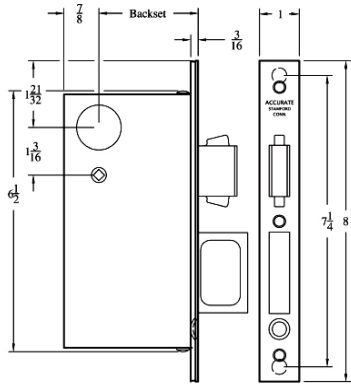
FLUSH CUPS WITH TURNING LEVER / INDICATOR



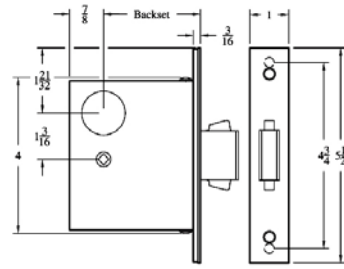
FLUSH CUPS / OFFSET



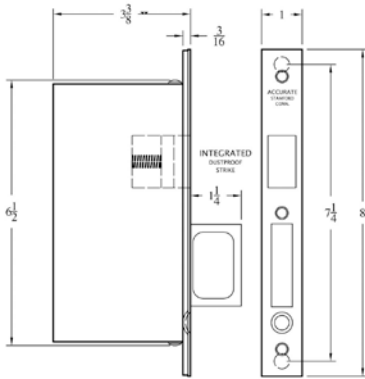
More parts shown separate on following pages



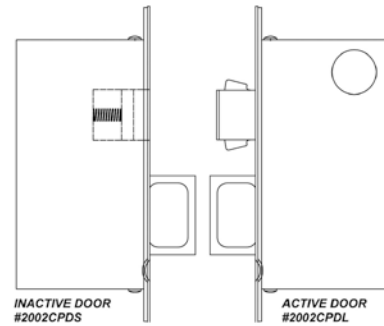
13.002 Pocket door lock mechanism 2 1/2" backset with edge pull . Thickness lock cases: 11/16"



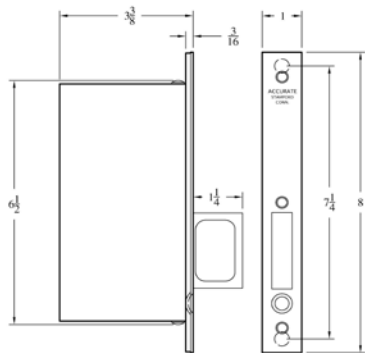
13.001 Pocket door lock mechanism 2 1/2" backset.



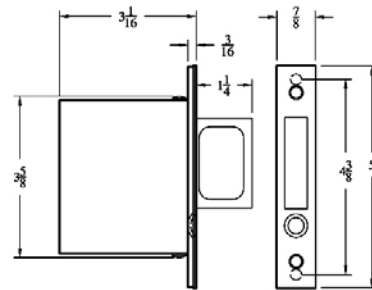
13.2002 CPDS Receiver for double door sets Thickness lock cases: 11/16"



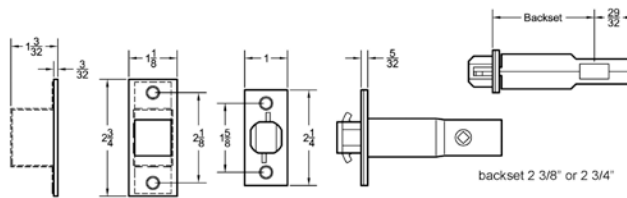
13.2002CPDS inactive 13.002 active



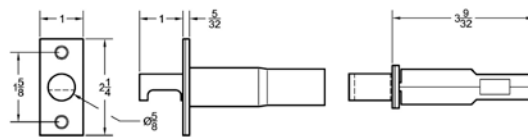
Edge pull with full casing 13.2002CPDP



Edge Pull small casing 13.200 spring loaded Thickness case : 11/16"



13.161PDL Hook bolt for pocket doors; specify 2 3/4" or 2 3/8" backset; Thickness lock casing: 1 inch; for 1 3/4" thick doors



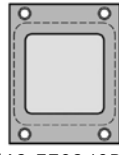
13.161PDP Edge pull Mechanism for pocket doors thickness casing: 1 inch. For 1 3/4" thick doors. Pull 5/8" diameter; spring loaded.



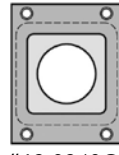
More designs for flush escutcheons and flush cups for pocket doors for mechanism 13.2002, 13.2001 and 13.161



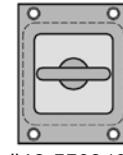
#13.FE2348E



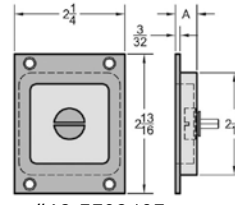
#13.FE2348B



#13.2348C



#13.FE2348T



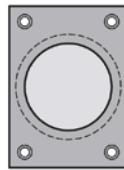
#13.FE2348E

A = 11/32"

Size: Outside: 2 13/16" x 2 1/4" x 11/32" Hole: 2 1/16" x 2 1/16" x 9/32"



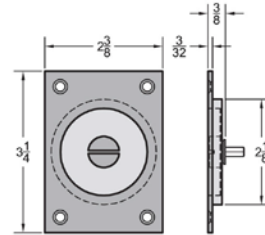
13.S161E



13.S161B (pair)



13.S161T



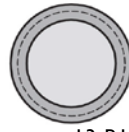
13.S161E

Dimensions: Outside: 3 1/4" x 2 3/8" Build in depth: 9/32". Drill Hole: 2 1/8"

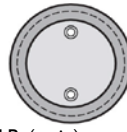


13.R161T

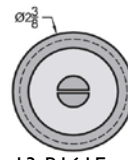
Dimensions: Outside: 2 3/8" diameter.



13.R161B (pair)



13.R161T



13.R161E

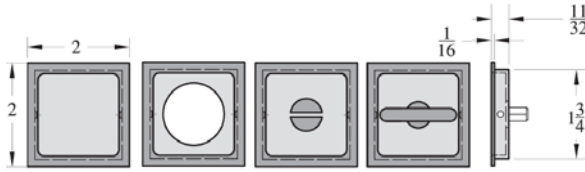
Drill Hole: 2 1/8"; thickness:



13.SBT

Dimensions: Outside: 2" x 2".

Hole size: 1 3/4" x 1 3/4"



13.SBB

13.SBC

13.SBE

13.SBT



13.FC9006E



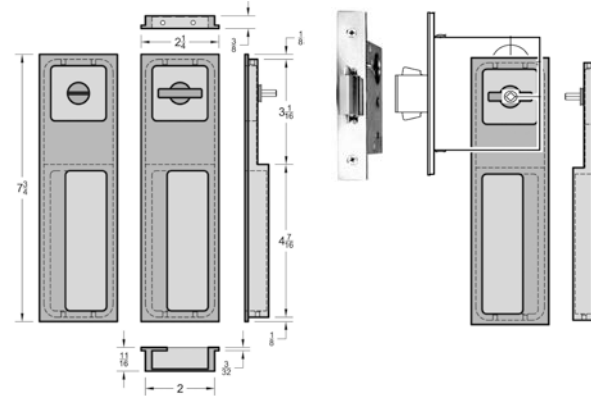
13.FC9006T



13.FC7346E

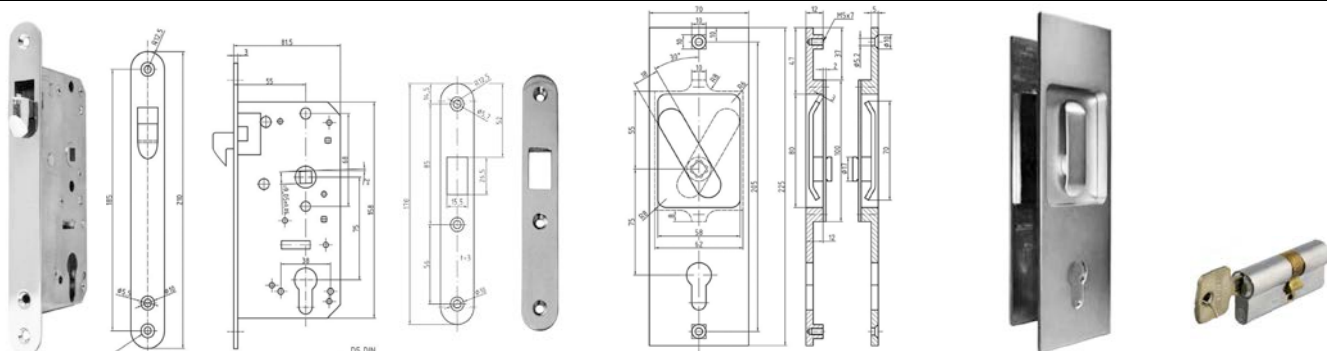


13.FC7346T



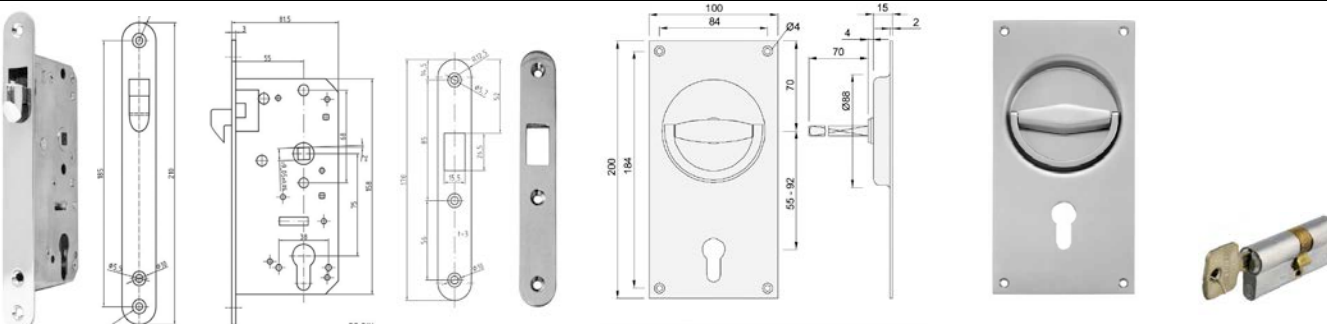
Flush Lever with separate flush pull cup; Please notice pull direction when ordering
Dimensions flush cups: 7 3/4" x 2 1/4" x 11/16" hole size: 2" x 7 1/2"

Installation for door thickness 1 3/8" with latch 13.001



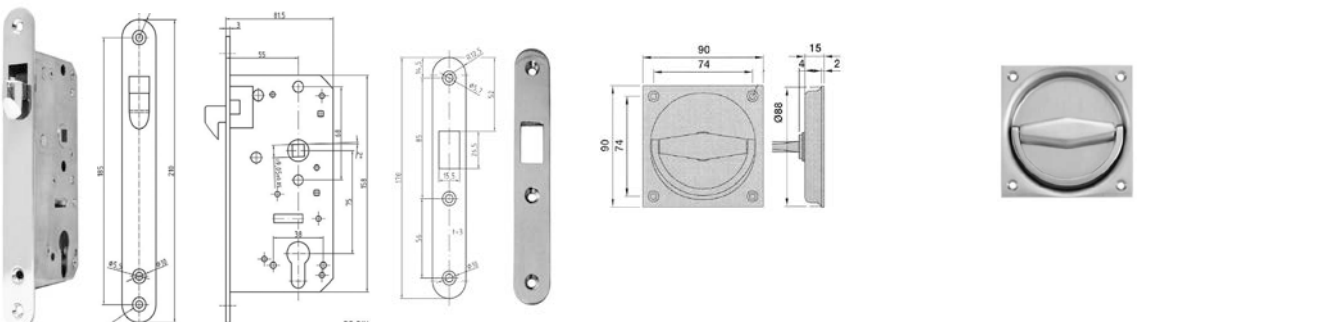
#14.81Z6 SET Complete Sliding Entry Mortise Lock Set.

Parts separate: Sliding door lock with strike plate #13.81Z; 55 mm backset; Profile cylinder keyway 05included; Flush Trim Set #13.610Z; dimensions: 2 3/4 x 8 7/8 inch 8; Plates Protrude from surface door 1/4 inch; **MINIMUM DOOR THICKNESS: 1 3/4 INCH or 44 mm.**



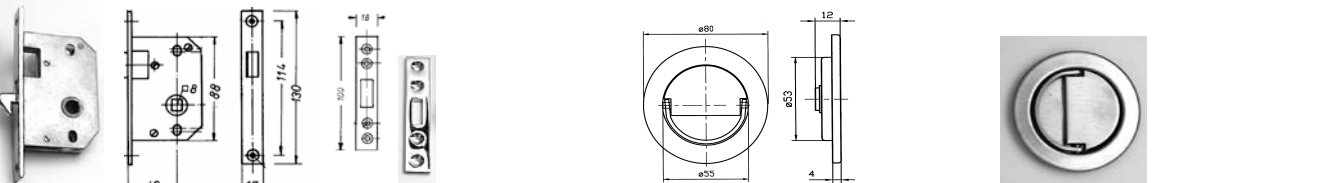
#13.81Z8 SET Complete Sliding Entry Mortise Lock Set.

Parts separate: Sliding door lock with strike plate #13.81Z; 55 mm backset; Stainless steel Flush lever on plate #51.004; Flush Set protrudes from surface door: 1/8 inch;. Size plate: 3 15/16 x 7 7/8 inch; **MINIMUM DOOR THICKNESS: 2 1/8 INCH OR 53 MM**



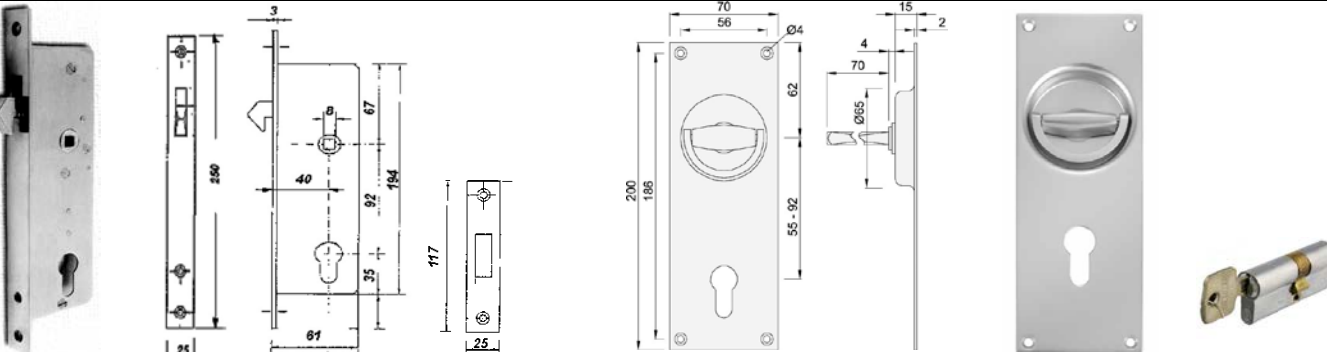
#13.81F8 SET Complete Sliding Passage Mortise Lock Set.

Parts separate: Sliding door latch with strike plate #13.81F; 55 mm backset; Stainless steel Flush lever on plate #51.016; Flush Set protrudes from surface door: 1/8 inch;. Size plate: 3 9/16 x 3 9/16 inch; **MINIMUM DOOR THICKNESS: 2 1/8 INCH OR 53 MM**



Set: #51.0891F; Flush Sliding Passage Set. With 316 Stainless steel Flush Door Lever #51.391; 80 mm diameter.

DOOR THICKNESS: 1 1/2" OR 38 MM



Set: #51.01525Z; Flush Sliding Entry Set with Flush Aluminum Door Lever, #51.5001A on plate 70 x 200 mm, Stainless steel Lock with strike #14.152; **DOOR THICKNESS: 2 1/8" OR 52 MM**



Izerwaren
Order
numbers

- 316 Stainless steel slam latch with lift ring
- sea water resistant
- slam action when closing
- strike included
- finish: Lift ring polished stainless steel 316; body and cam: satin finish

SLAM LATCH WITH LIFT RING

Polished 316 stainless steel

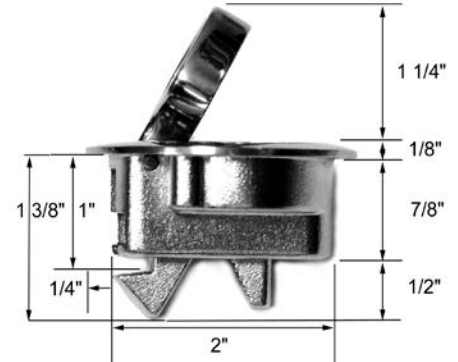


- 43.F01 **Slam latch for hatches**
Set: latch, mounting ring with screws; strike.
Diameter: 2 3/8"
Built in diameter: 2"
Material thickness: from 1/4" up to 13/16"
Spring loaded slam action on latch bolt
- 43.F02 **Slam latch for hatch, locking with key**

Slam latch #43.F01
Installation body: Drill hole: 2" Ø



Mounting ring; 2 3/8" diameter



#43.F01 Slam latch

SLAM LATCH WITH PULL

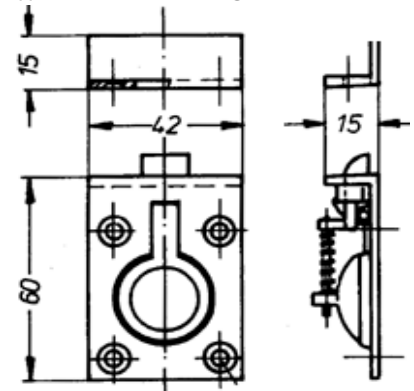


- #43.831S Flush Slam latch, Pull type. Anchor style lift ring; strike plate included. **Pull Out** to release.
Dimensions: 61 mm long (A) x 58 mm wide (C) x 19 mm deep (D). Door thickness: 19 mm
Dimensions: 2 7/16" (A) x 1 1/2" (B) x 2 1/4" (C) x 3/4" (D) Door thickness: 3/4"
316 stainless steel Satin Finish

SLAM LATCH WITH LIFT RING



- #46.108 Flush Pull Lift with latch Dimension: 60 x 42 x 15 mm;
Angle strike 15 x 15 x 42 mm; Door thickness: 5/8" or 15 mm

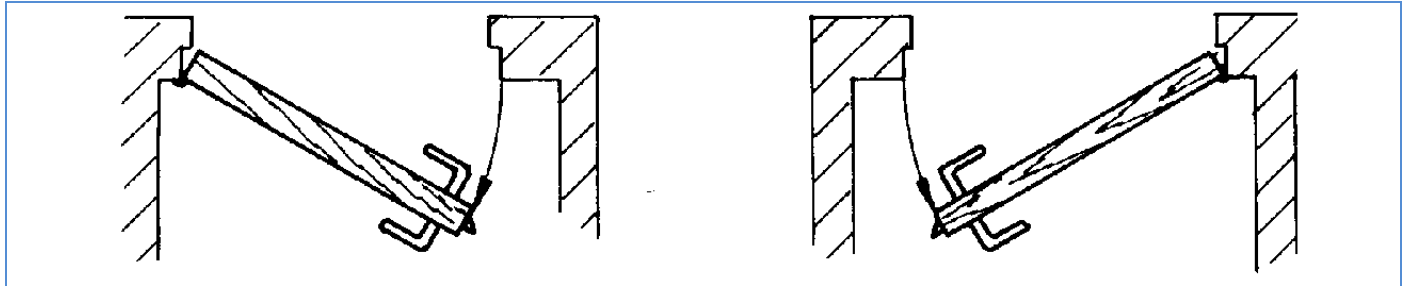


Pull to release



Standard European (DIN) Handing for Mortise Locks and Swinging Doors:

OUTSIDE



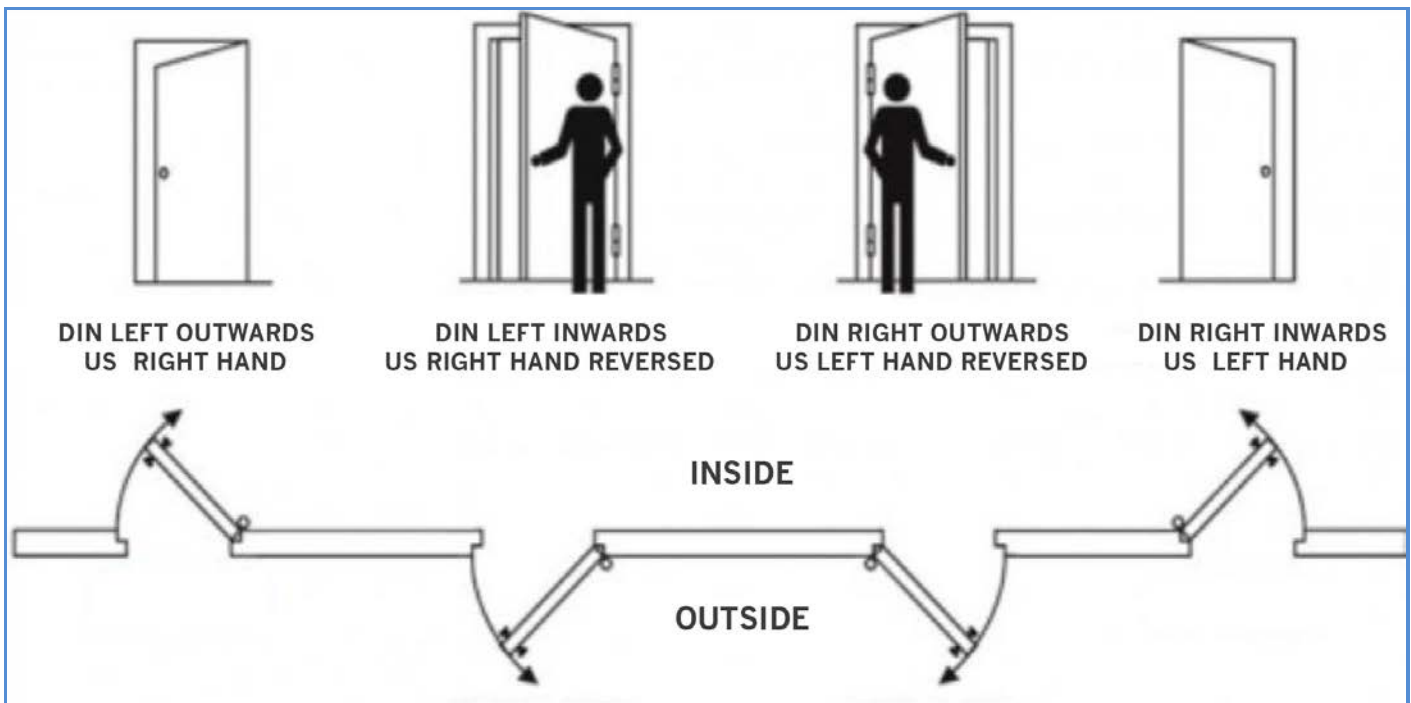
INSIDE

DIN LEFT HAND

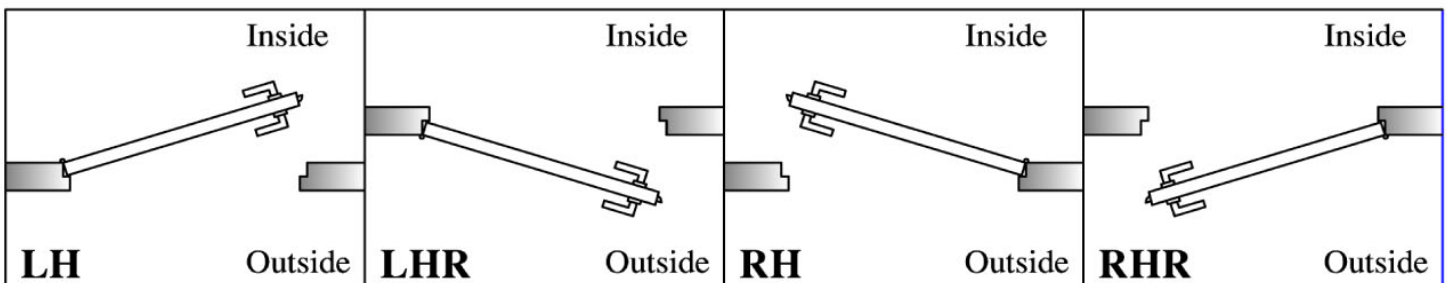
DIN RIGHT HAND

The DIN Standard applies to most Mega Yachts Door Schedules.

Handing Door Schedules for: Residential European (DIN) and Residential American (US) Swinging Door the following schedule applies, showing DIN Standard and US Standard:

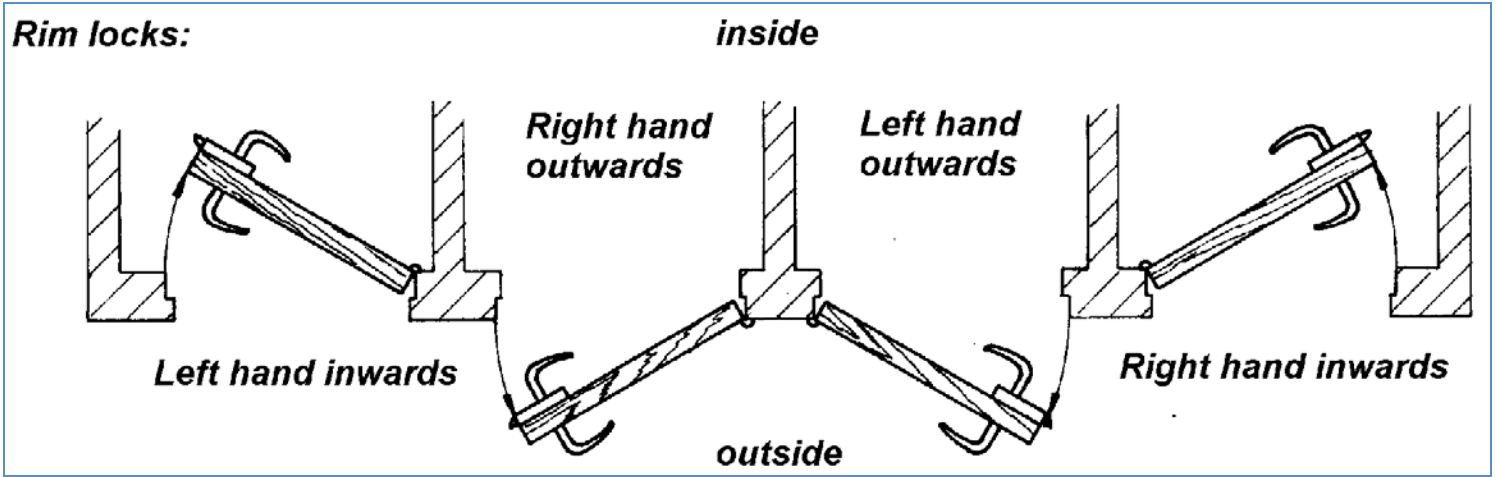


Standard US Handing schedule:

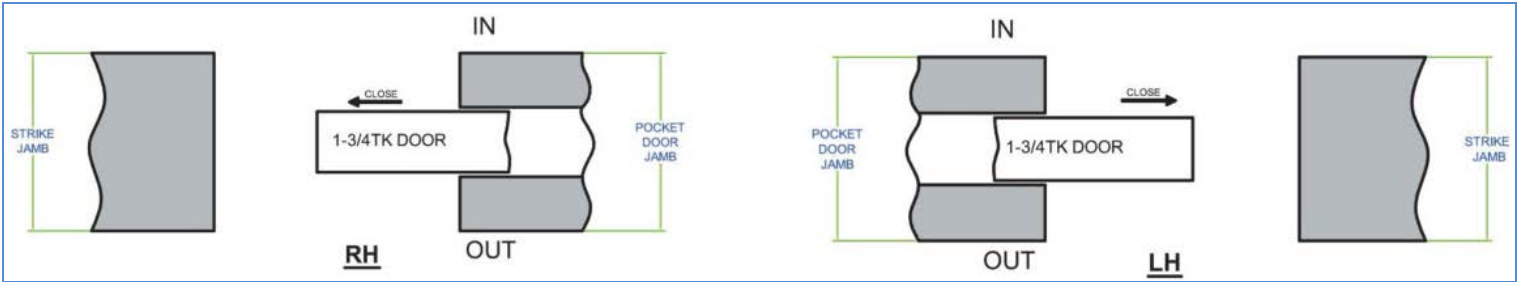




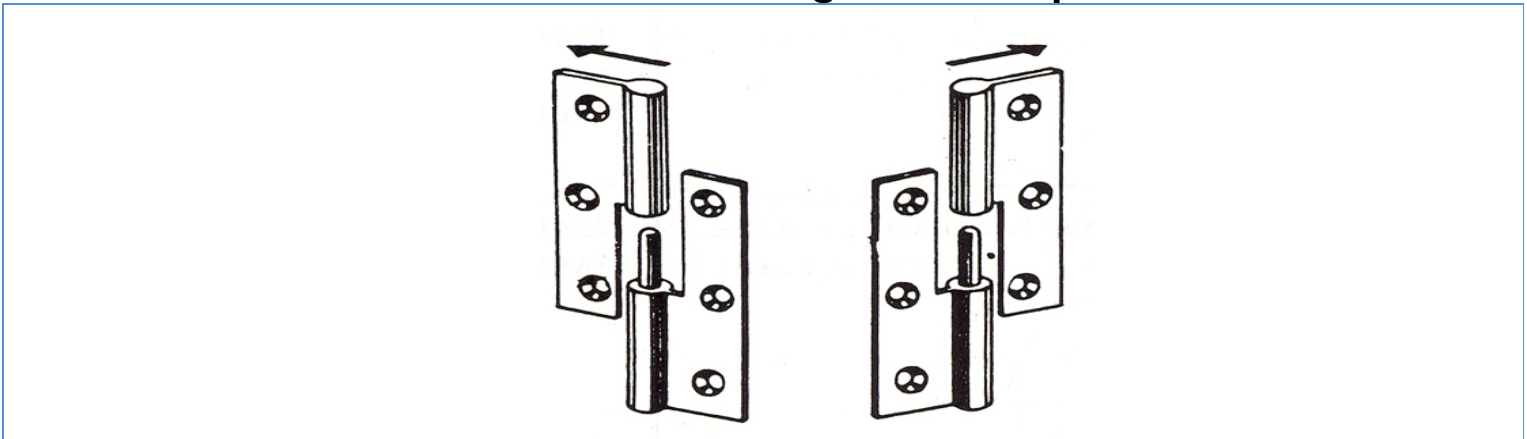
HANDING OF RIM MOUNTED LOCKS EUROPEAN DIN STANDARD:



HANDING OF POCKET DOORS US STANDARD:

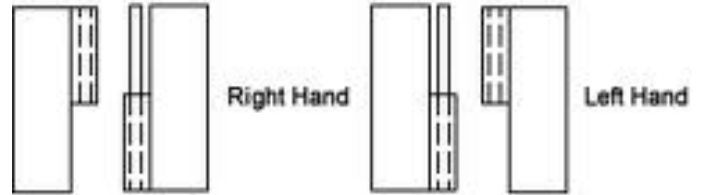
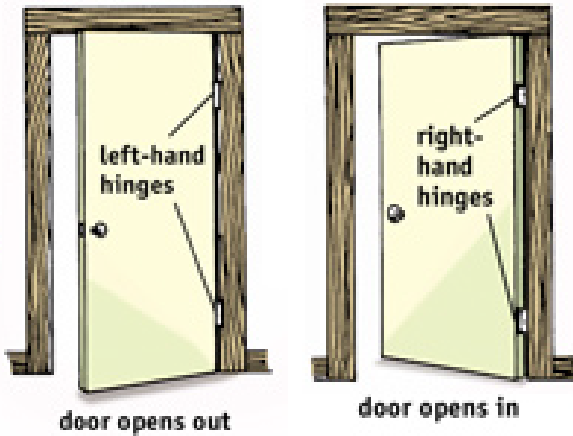


HANDING of LIFT OFF HINGES according to the European DIN Standard:





Standard US Hinges Handing



Handing For Standard US Butt Hinges and Lift Off Hinges (Slip Joint Hinges)

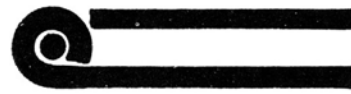


Handicapped Code Full Away Swinging Hinges and Butt Hinge Installation

Hinge Swaging



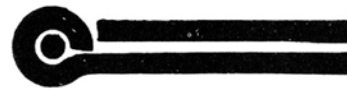
Hinge not swaged — figure 1



Hinge not swaged — figure 2



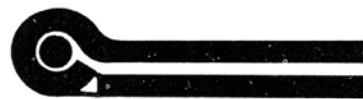
Hinge swaged (standard) — figure 3



Hinge swaged (standard) — figure 4


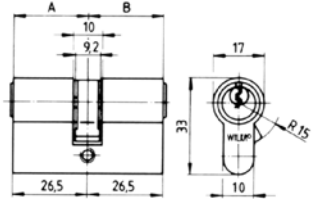


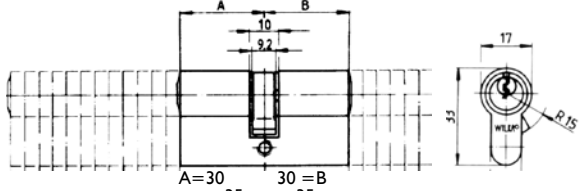
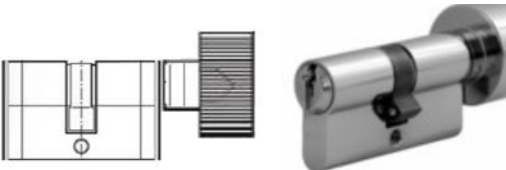
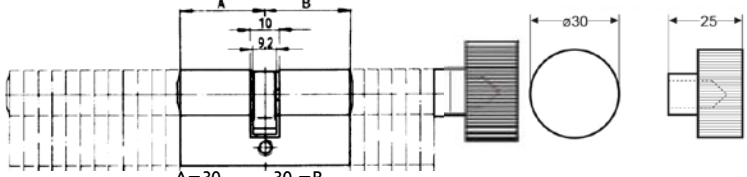








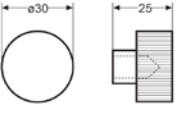
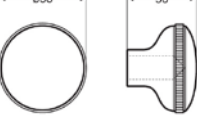
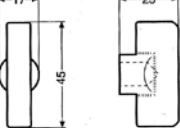





*Hinge with one leaf swaged — figure 5



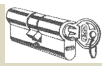
*Hinge with one leaf swaged flat — figure 6



Order number		Material	Specifics	Finish
 Picture Profile Cylinder key/key Series #05.488 Small: 53 mm overall length				
05.488.566	key/key	Brass	A= 26.5 mm B= 26.5 mm key-key; satin chrome	
05.488.266	key/key	Brass	A= 26.5 mm B= 26.5 mm key-key; polished chrome	
05.407.566	key/knob	Brass	A= 26.5 mm B= 26.5 mm key-knob; satin chrome	
05.407.266	key/knob	Brass	A= 26.5 mm B= 26.5 mm key-knob; polished chrome	
 Picture Profile Cylinder key/key series #05.400 62 MM OVERAL LENGTH UP TO 182 MM OVERAL LENGTH WITH INCREMENTS OF 5 MM ALSO AVAILABLE ACYMETRIC		 Key blanks #05.150 nickel		
05.400.566	key/key	Brass	A= 30 mm B= 30 mm key-key; satin chrome	
05.400.266	key/key	Brass	A= 30 mm B= 30 mm key-key; polished chrome	
 Picture: Profile Cylinder key/knob Series #05.405 Specify Knob (knob depicted: #05.502 62 MM OVERAL LENGTH UP TO 182 MM OVERAL LENGTH NOT COUNTING THE KNOB WITH INCREMENTS OF 5 MM - ALSO ACYMETRIC				
05.405.566	key/knob	Brass	A= 30 mm B= 30 mm key-key; satin chrome	
05.405.266	key/knob	Brass	A= 30 mm B= 30 mm key-key; polished chrome	
 Half keyway #05.415 key/- UP TO 90 MM			 Half knob #05.416 knob/- special order	
05.415.566	Key/ - 30 - 0	Brass	A= 30 mm B= 0 mm key---; satin chrome	
05.415.266	Key/ - 30 - 0	Brass	A= 30 mm B= 0 mm key---; polished chrome	
05.416.566	Knob/ - 30 - 0	Brass	A= 30 mm B= 0 mm key---; satin chrome	
05.416.266	Knob/ - 30 - 0	Brass	A= 30 mm B= 0 mm key---; polished chrome	
 #05.502			 #05.602	
 #05.762			 #05.517	
 #09.P07			 #09.P05	
 #05.502			 #05.602	
 #05.762			 #05.008	
 #13.J454			 #13.J453	

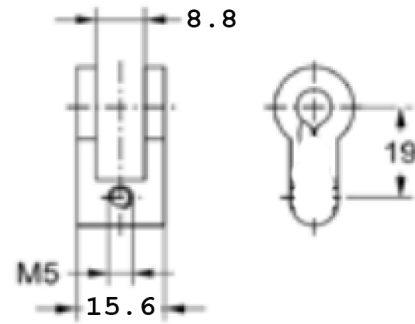


<p>Profile cylinder, 60 mm, privacy (slotted bolt/knob) Profile cylinder, 60 mm, privacy (slotted bolt/key)</p>		<p>A= 30 mm slotted bolt B= 30 mm key A= 30 mm slotted bolt B= 30 mm knob</p>
<p>05.489 05.487</p>	<p>Slotted bolt/key Slotted bolt/knob</p>	
<p>Escutcheon pair: #14.129.508 with 1 cylinder cover #05.599</p>	<p>#05.599 #05.5991 Profile cylinder covers, spring loaded.</p>	
<p>#05.599 Profile cylinder cover, spring loaded. 12 mm</p>	<p>#05.5991 Profile cylinder cover, spring loaded. 17 mm</p>	
<p>05.599.608 05.5991.606</p>	<p>PC cover 3 mm PC cover 8 mm</p>	<p>Overall sizes: 29 x 58 x 12 mm Overall sizes: 29 x 58 x 17 mm</p>
<p>Round Cylinders for small locks and cabinet locks</p>	<p>#05.590 Round key nickel</p>	<p>Cabinet rim lock #21.73Z; 25 mm backset with keyway #05.522</p>
<p>05.522 05.525 05.530 05.535</p>	<p>round cylinder 22 mm round cylinder 25 mm round cylinder 30 mm round cylinder 35 mm</p>	<p>Brass/chrome Brass/chrome Brass/chrome Brass/chrome</p> <p>#21.73Z Cabinet rim lock with round cylinder see catalog page 2-1 See on line: <i>lzerwaren.com: Door hardware / Cabinet door hardware / Details marine slam latches / page 2-1.</i></p>



Izerwaren
Order
numbers

Profile Key Cylinder
replacement inserts
to change the function
from Entry to Privacy
(bathroom function)

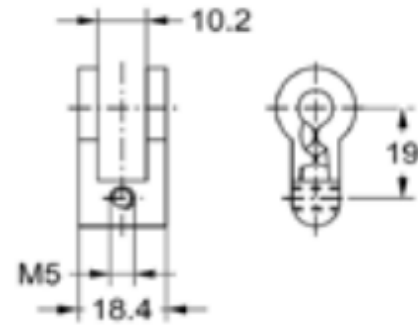


22.7000 Adapter for profile cylinder brass
to thumb-turn / indicator
with 7x7 mm spindle

#22.7000 Insert to replace profile cylinder key way with thumb-turn
For privacy (toilet) set up with 7x7 mm spindle
Brass casing with zinc follower



#14.73Z mortise lock
with insert #22.7000.

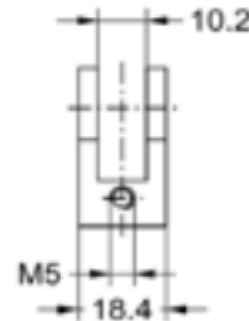


22.7423 Insert changes function to skeleton
keyway

22.7423 Skeleton Key Insert replacing Profile Key Cylinder.
Material: Zinc; interior grade



#13.31Z Stainless Steel Rim-lock
with Thumb-turn
See page 1-3-B for details



22.755 Adapter for Profile Cylinder
To 6 x 6 mm spindle for
Thumb-turn / indicator
Stainless Steel
For marine applications

22.755 Profile Cylinder insert convert from Entry to Privacy
With 6 x 6 mm spindle for thumb turn / indicator.
Stainless Steel. For marine applications

Thumb-turn designs available:

